

**MAXIMUM PRODUCT LOAD RATING: 100 kg**



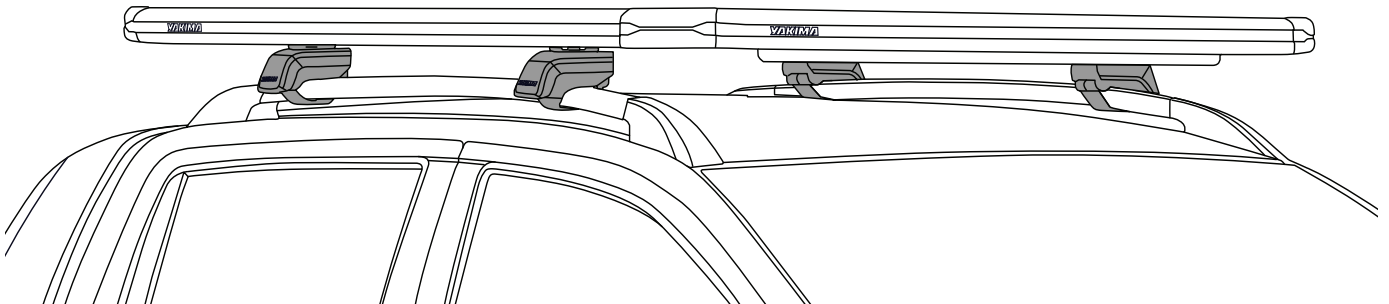
**IMPORTANT:**

- **LOAD = WEIGHT OF PLATFORM or BARS + MOUNTING SYSTEM + ACCESSORIES + CARGO**
- **PLEASE REFER TO VEHICLE MANUFACTURER SPECIFICATIONS FOR MAX ROOF LOAD CAPACITY OF VEHICLE. THE LOWEST LOAD RATING APPLIES.**
- **OFFROAD RATING: SCAN QR CODE FOR LOCKNLOAD LOAD RATING GUIDE. REDUCTIONS MAY APPLY.**



### FIRST TIME INSTALLATION

- Please read instructions carefully before installation.
- Check the contents of kit. Contact your YAKIMA dealer if any parts appear missing or damaged.
- Clean your roof thoroughly prior to fitting the LOCKNLOAD Platform Raised Rail Kit.
- Place these instructions in the vehicle's glove box after installation is complete.



### KIT CONTENTS

ITEM	COMPONENT	QTY
1.	Raised Rail Leg Assembly	x4
2.	Yakima Key Set	x1
3.	4 mm Ball End Allen Key	x1

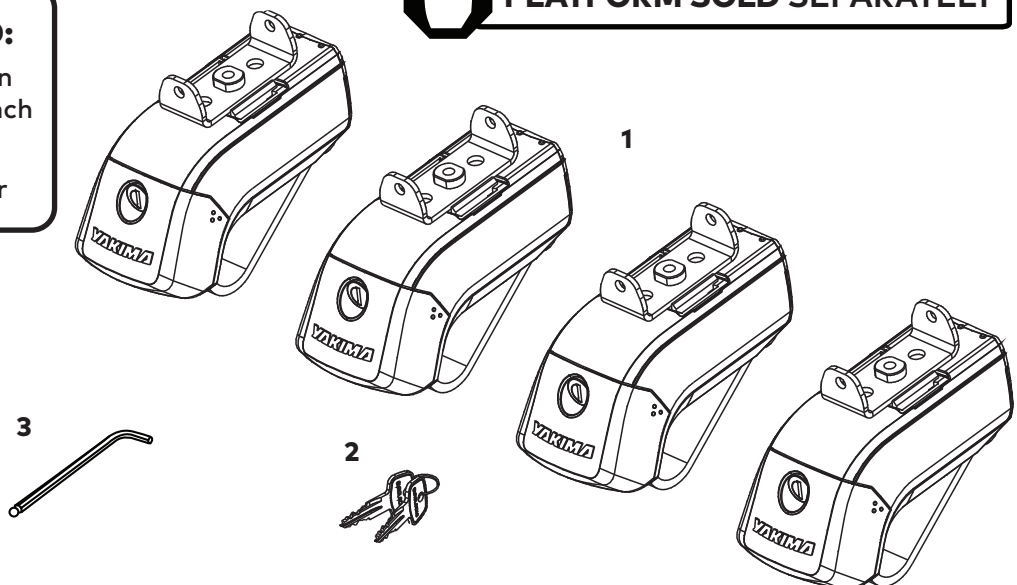


**TOOLS REQUIRED:**

- 4 mm Ball End Allen Key or Torque Wrench
- 10 mm Socket Wrench or Spanner



**PLATFORM SOLD SEPARATELY**



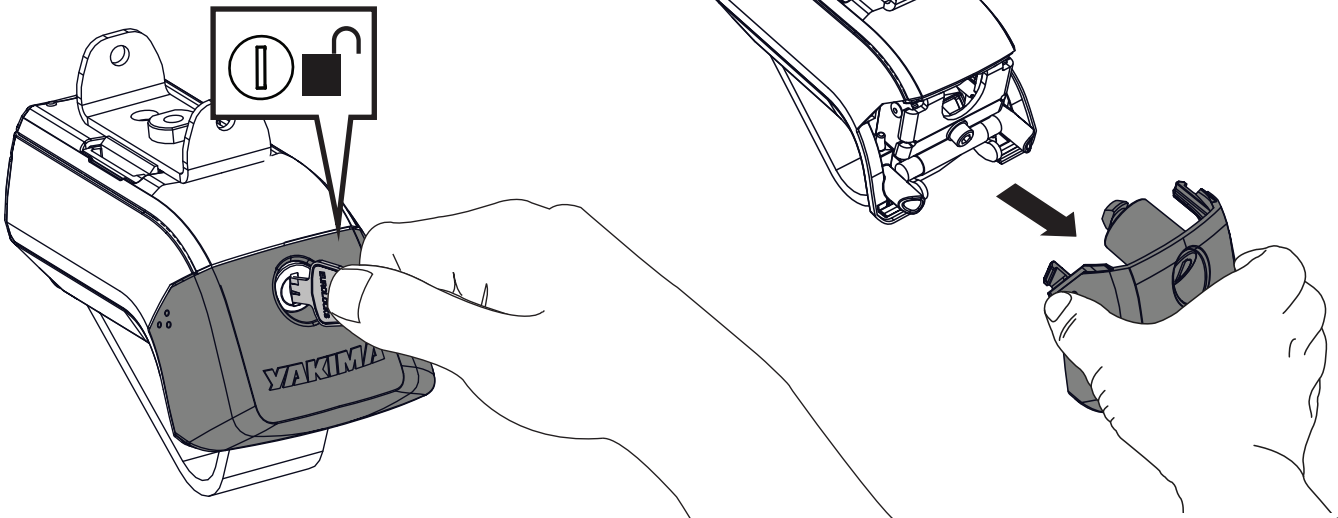
8000389

# INSTALLATION

1

## REMOVE LEG COVERS

Using the Keys remove all Leg Covers.

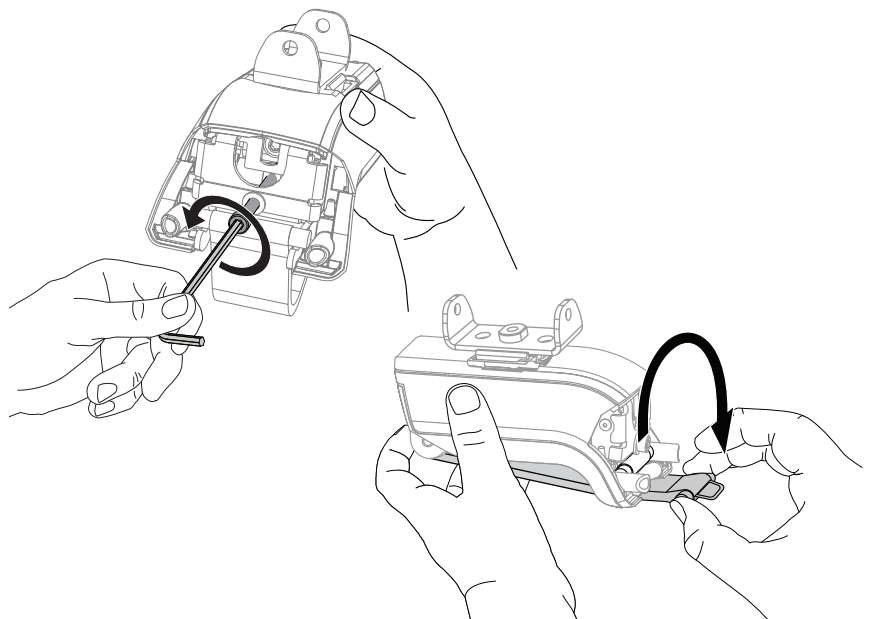


2

## BACK OUT BOLTS AND RELEASE STRAPS

Using the supplied Allen Key or a cordless drill, loosen the pictured bolt on all Legs until the Straps can be lifted out of the cradle.

Unhook Straps by lifting out of cradle and pulling downwards.



3

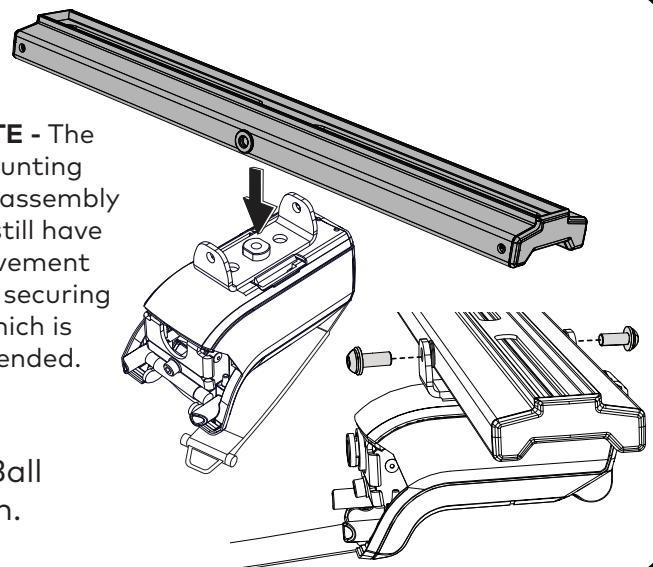
## INSTALL MOUNTING BLOCKS

Place a Mounting Block (from **Platform Kit**) on top of each Leg assembly, lining up the rivnut holes on Mounting Block with holes on tabs of Leg Mounting Bracket.

Secure with two M6 Capscrews 16 mm with Washer (from **Platform Kit**) as shown.

Tighten all screws to 4 Nm with a 4 mm Ball End Allen Key or a suitable Torque Wrench.

**NOTE** - The Mounting Block assembly will still have movement after securing which is intended.

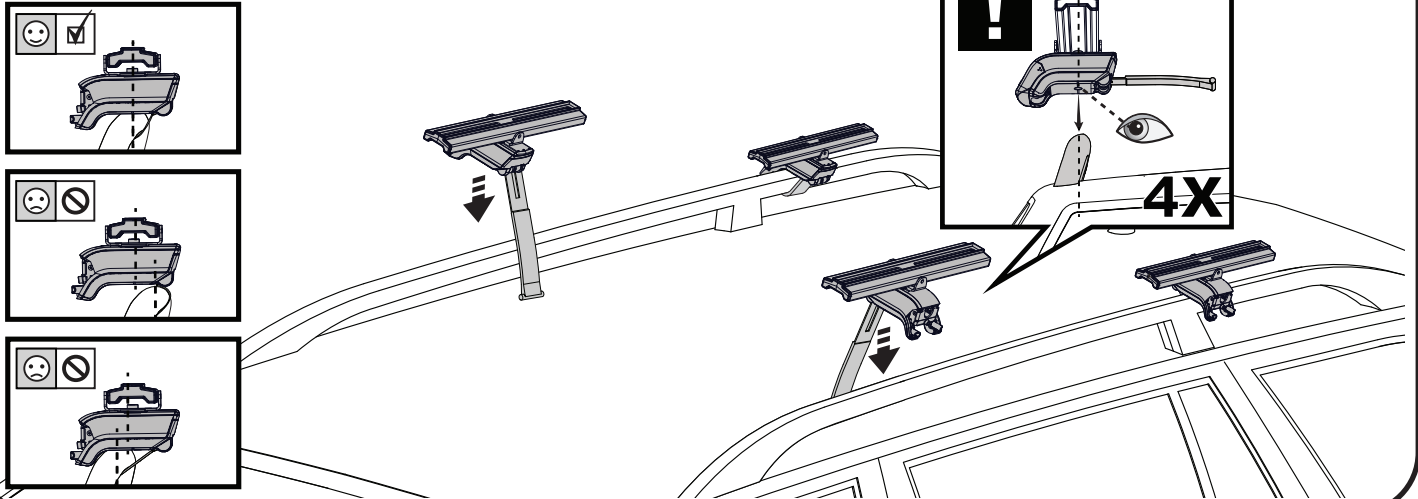


**4****ATTACH LEG AND MOUNTING BLOCK ASSEMBLIES TO RAIL**

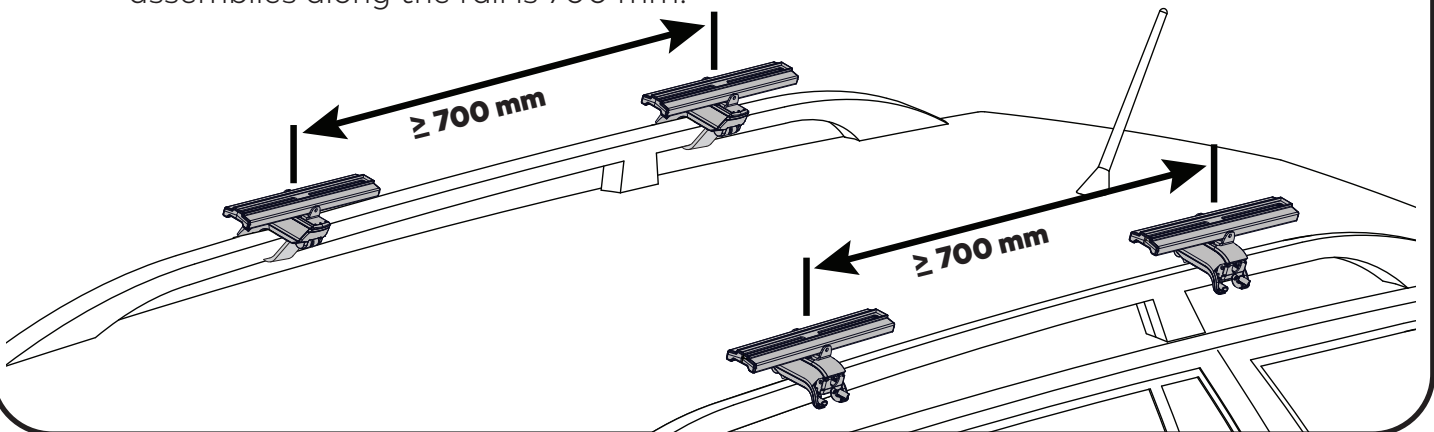
Place Leg and Mounting Block assemblies on top of rail, ensuring that the hole on the underside of the assembly is positioned directly on top of the rail.

Check that strap can pass underneath the rail and re-engage with the cradle. If not, back off bolt shown in Step 2 further.

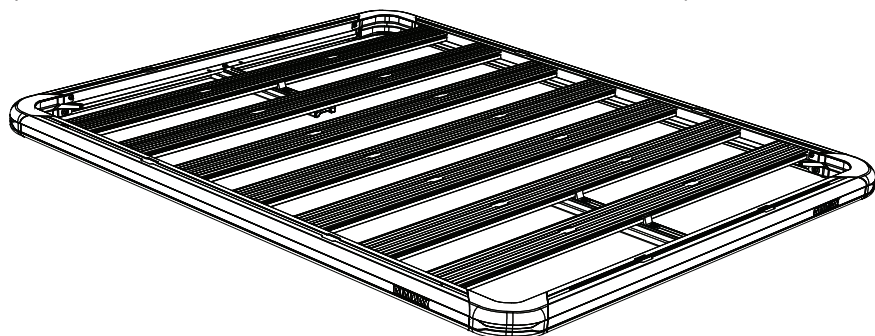
Re-engage straps and tighten bolts until the assemblies are stable on the rail. Do not tighten completely.

**5****POSITION LEG AND MOUNTING BLOCK ASSEMBLIES ALONG RAIL**

The minimum recommended distance between Leg and Mounting Block assemblies along the rail is 700 mm.

**6****ASSEMBLE LOCKLOAD PLATFORM**

If Platform was purchased unassembled, follow Steps 1 - 9 on Pages 4 - 7 of the Platform Assembly instructions (footer number 28-13-337) to piece Platform together.

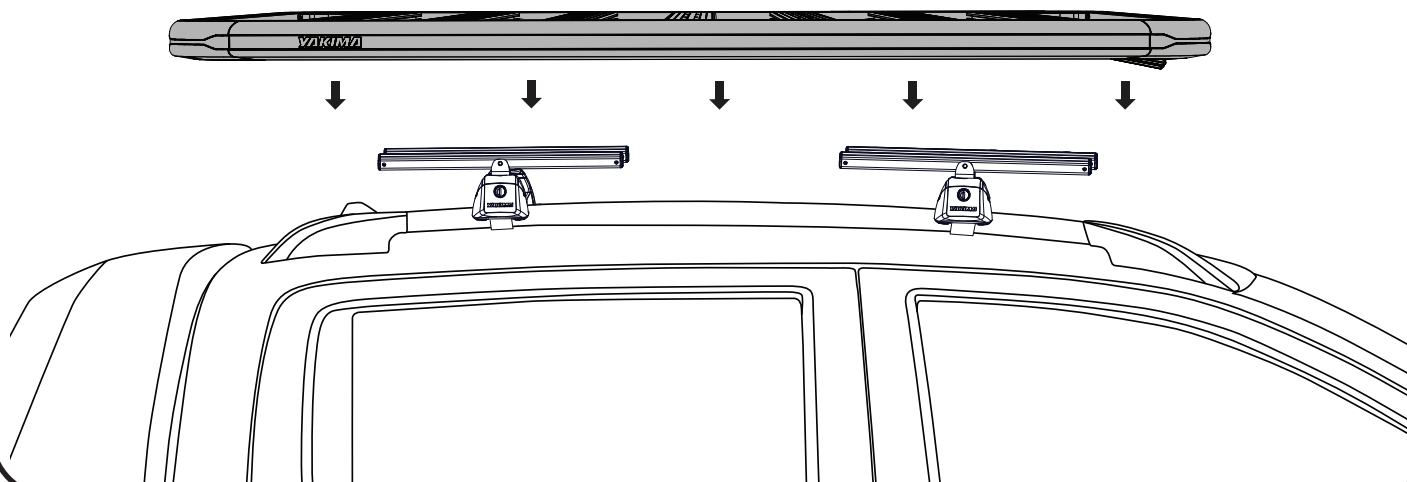


## 7 LIFT PLATFORM ONTO VEHICLE

With the help of an assistant, carefully lift assembled Platform up and onto Mounting Blocks on vehicle roof.

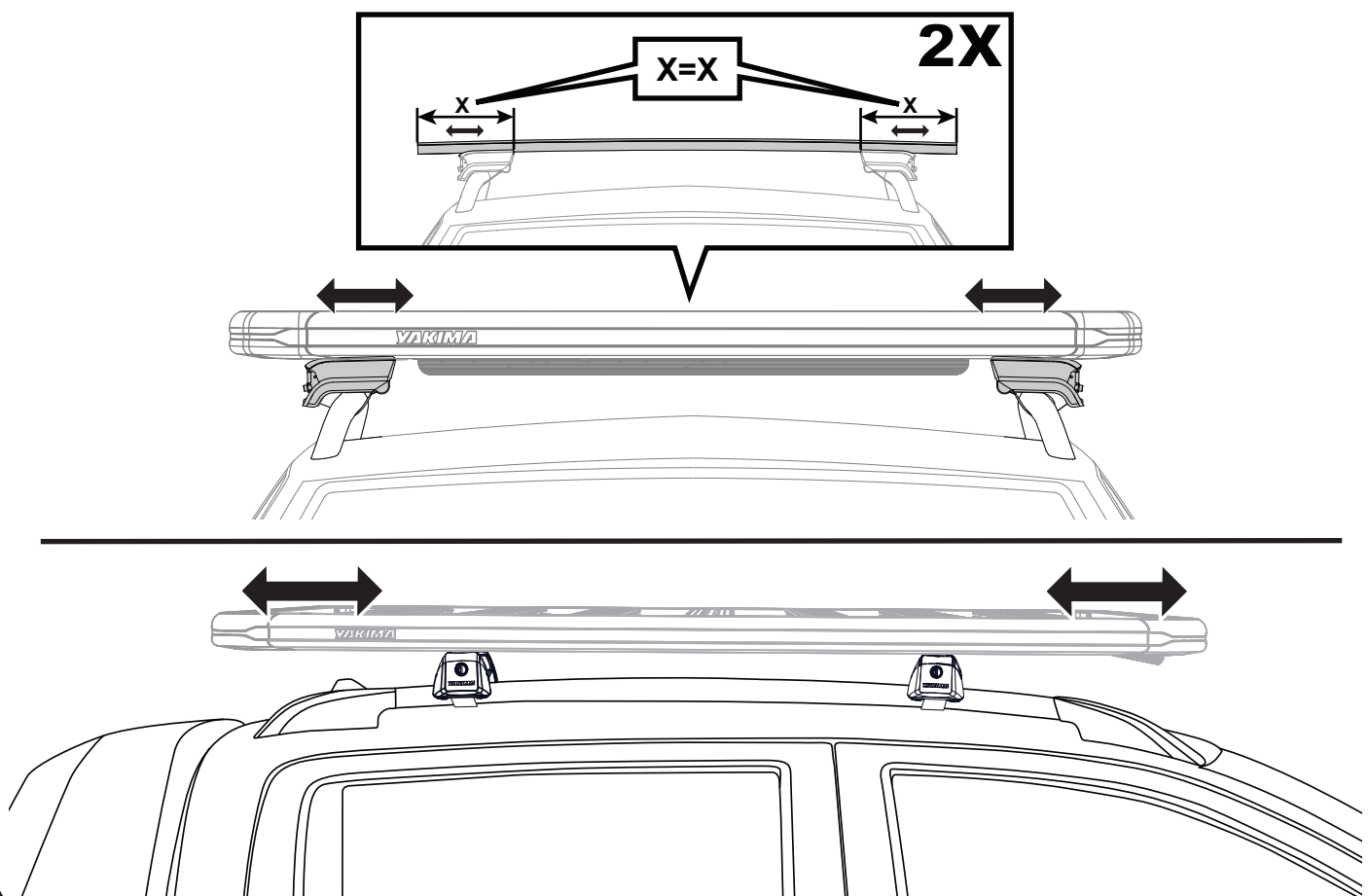
**NOTE - Wind Deflector is to be at the front of the vehicle.**

**NOTE - For hatch vehicles ensure to position the Platform so that there is adequate hatch clearance when fully opened.**



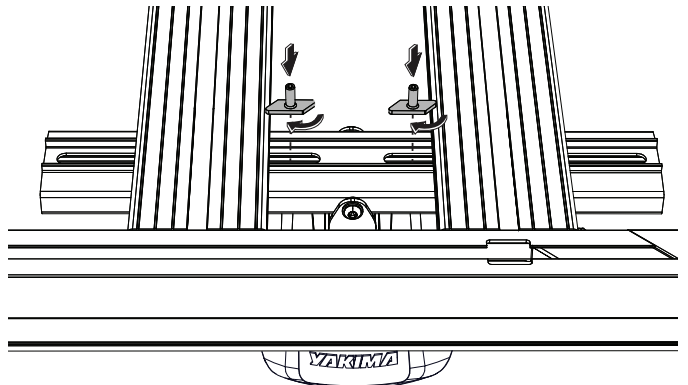
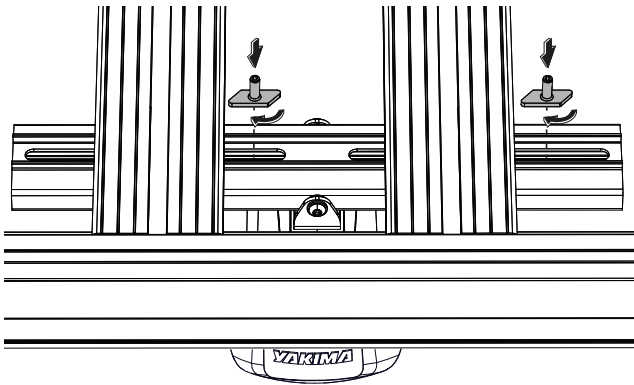
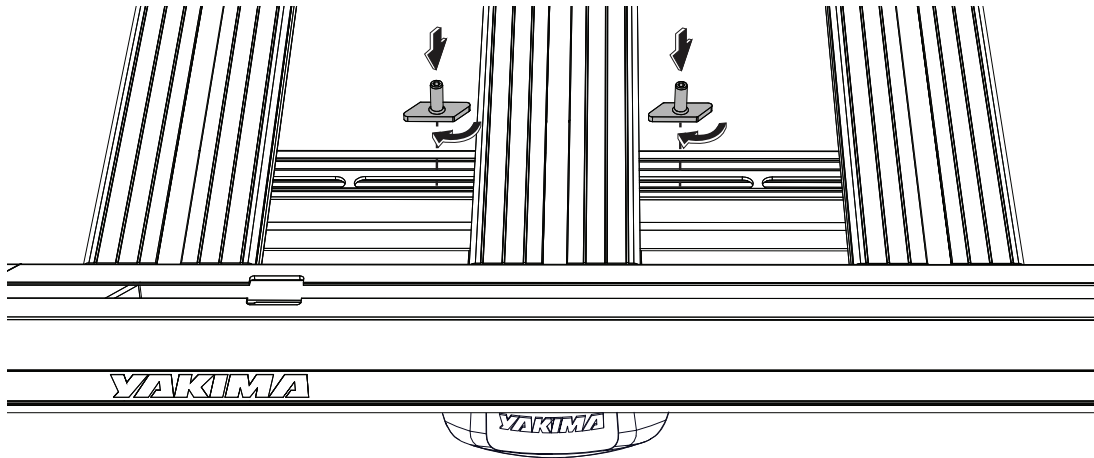
## 8 CENTRE PLATFORM

Centre Platform evenly on Legs so there is an equal overhang on sides and ideally on the front and rear.



**9****INSERT T-BOLTS INTO MOUNTING BLOCKS**

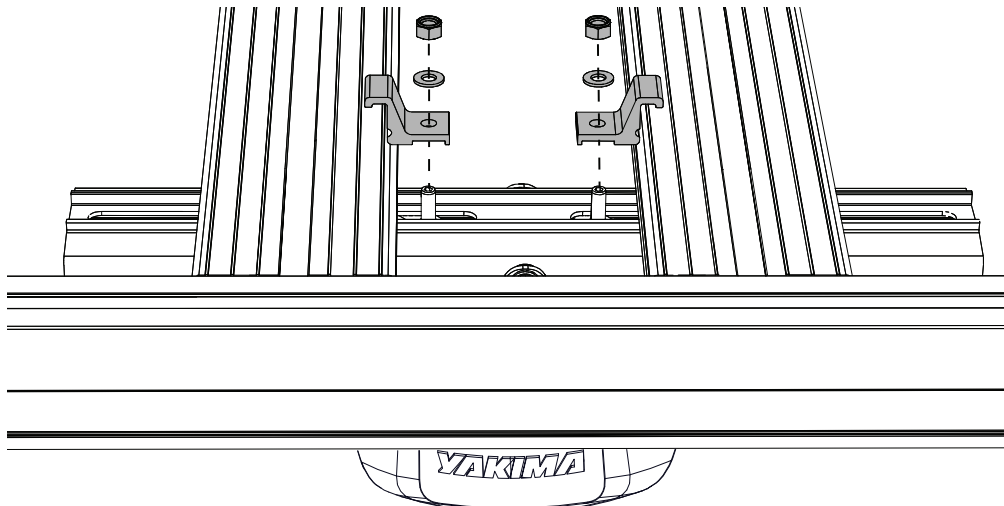
From **Platform Kit**, Insert one M6 T-Bolt into Mounting Block channel on either side of each Leg. Twist to lock into place. See below for possible location scenarios.

**10****SECURE MOUNTING BLOCKS**

From **Platform Kit**, secure Mounting Blocks to Platform Slats using one Slat Clamp, one M6 Washer and one M6 Nyloc Nut onto each M6 T-Bolt as shown.

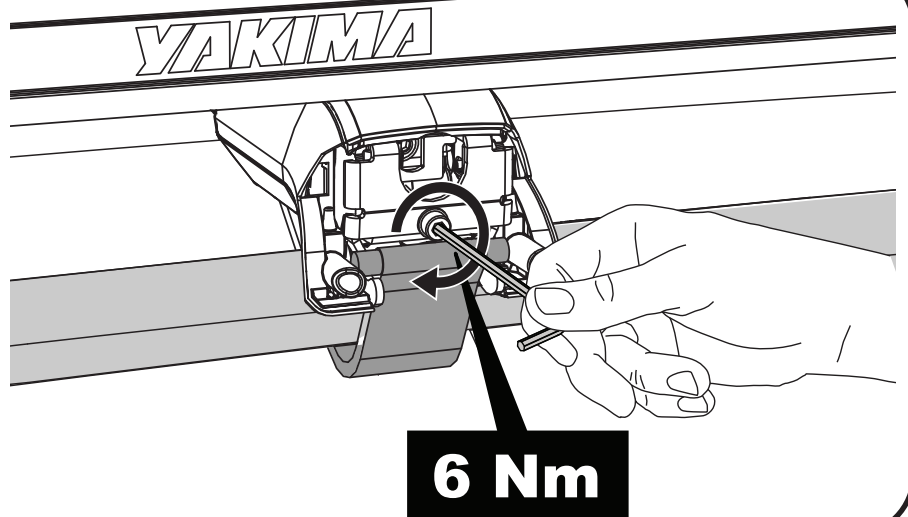
Ensure Mounting Blocks are level under Platform Slats.

Tighten all Nuts to 4 Nm using a 10 mm Socket Wrench or Spanner.

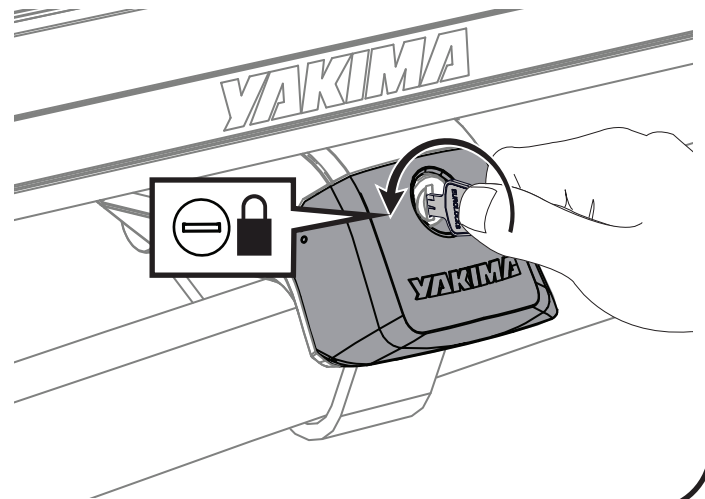
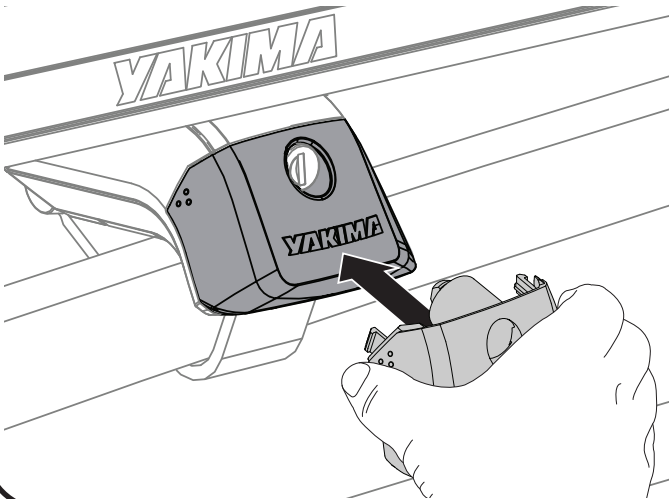


**11****TIGHTEN STRAPS**

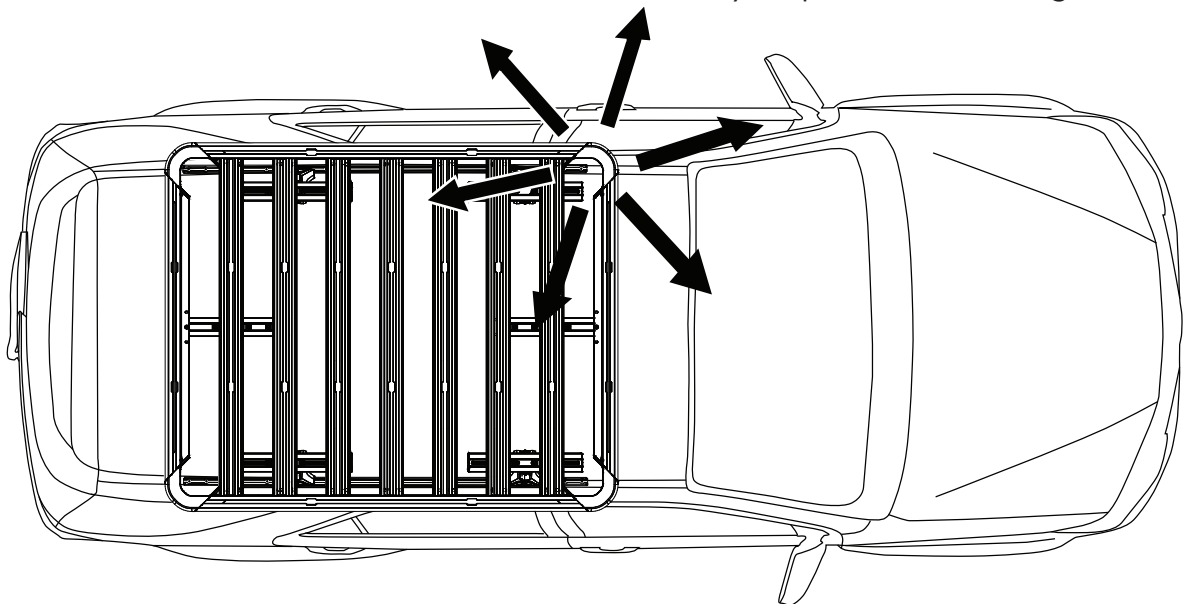
Using the supplied Allen Key, tighten bolts on all Legs to 6 Nm

**12****FIT LEG COVERS**

Using the Keys and Covers, fit and lock all Leg Covers.

**13****PLATFORM MOUNTING COMPLETE**

Check that Platform has been secured correctly as per the mounting instructions.

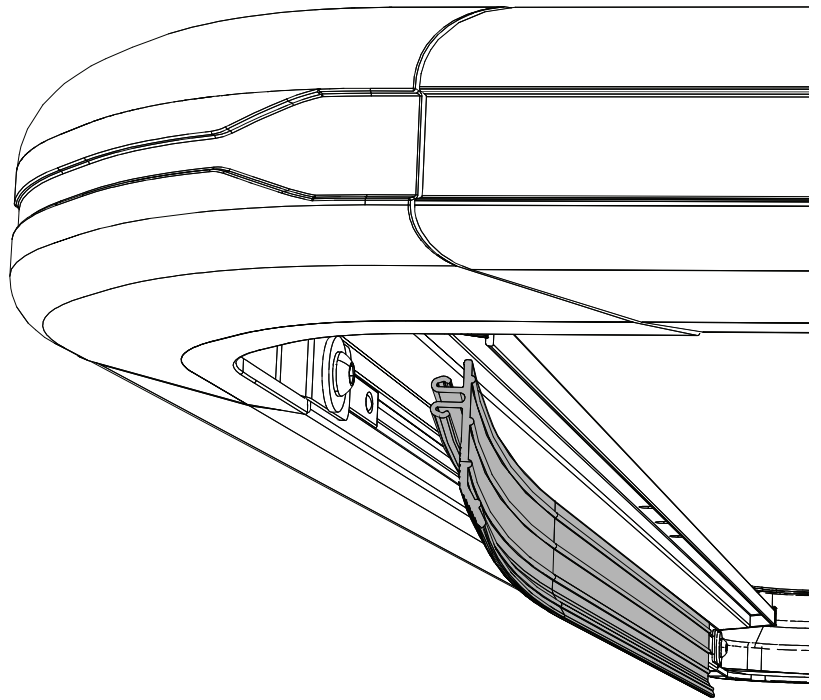


**NOTE** - 7 Slat Platform shown - indicative sizes A and B.

## WIND DEFLECTOR REMOVAL

**NOTE** - The Wind Deflector can be removed to suit certain anchors/accessories to be used with the front extrusion. This is done by simply peeling the part out of the slot, starting at one end and working across the length of the deflector.

Installation is the reverse and should be confirmed by hearing an audible 'CLICK' when the deflector is fully installed.



**YAKIMA**

[www.yakima.com.au](http://www.yakima.com.au)  
[www.yakima.co.nz](http://www.yakima.co.nz)  
[www.yakima.com](http://www.yakima.com)  
[www.yakima.eu](http://www.yakima.eu)

**YAKIMA AUSTRALIA PTY LTD**

17 Hinkler Court  
Brendale, QLD 4500  
Australia  
1800 143 548

**YAKIMA PRODUCTS, INC.**

4101 Kruse Way  
Lake Oswego, OR  
97035-2541  
USA  
888 925 4621

**ALL CONTENT SUBJECT TO YAKIMA AUSTRALIA PTY LTD COPYRIGHT © 2019**