

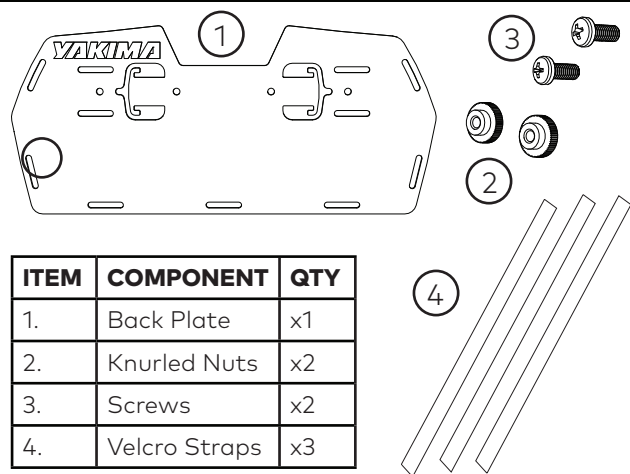
YAKIMA®

PlateMate Installation

FIRST TIME INSTALLATION

- Please read instructions carefully before installation.
- Check the contents of kit. Contact your YAKIMA dealer if any parts appear missing or damaged.
- Place these instructions in the vehicle's glove box after installation is complete.

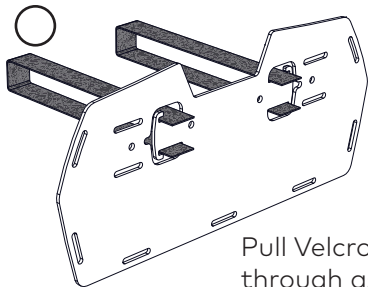
KIT CONTENTS



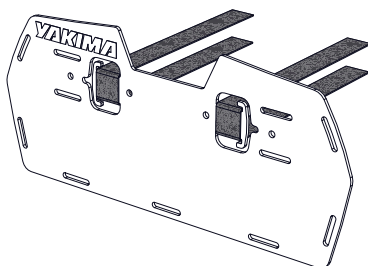
ITEM	COMPONENT	QTY
1.	Back Plate	x1
2.	Knurled Nuts	x2
3.	Screws	x2
4.	Velcro Straps	x3

1 INSERT VELCRO STRAPS

Take x2 Velcro Straps and thread through the front of PlateMate as shown.



Pull Velcro Straps completely through as shown.

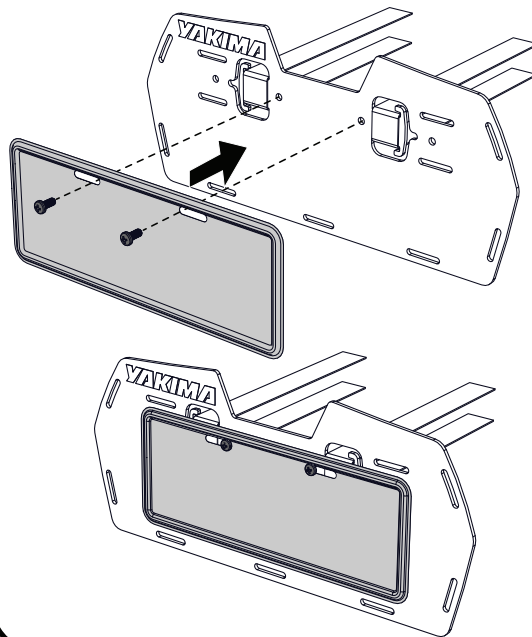


NOTE: Strap configuration shown is for Yakima HoldUp.

PlateMate can also be attached to other carriers using the other slot combinations.

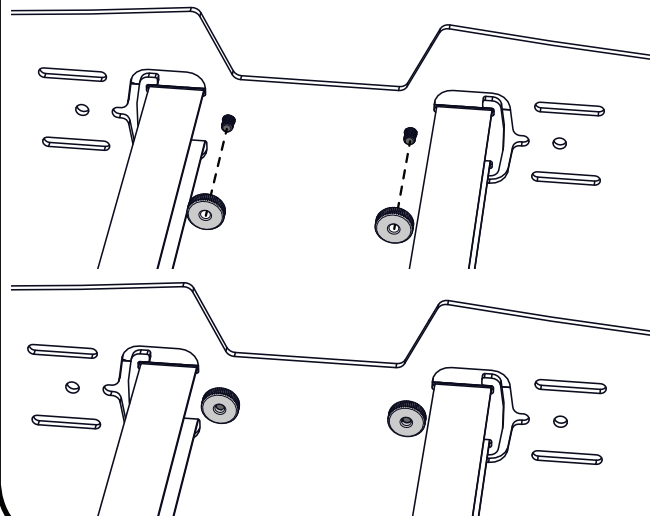
2 POSITION NUMBER PLATE

Position your number plate onto the PlateMate. Using the x2 Screws, line up the Screws through slots in your number plate with the appropriate holes in PlateMate.



3 SECURE NUMBER PLATE

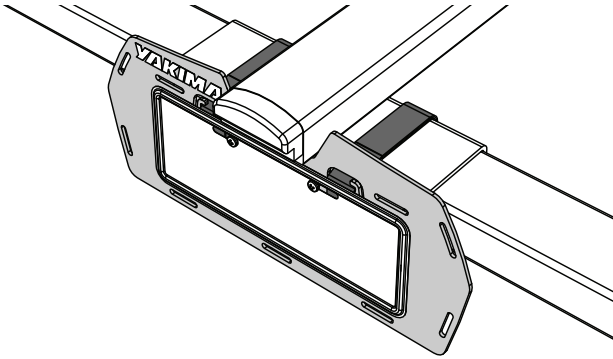
Turn PlateMate over carefully ensuring that the screws don't fall out. Spin the Knurled Nuts onto screw threads. Finger tighten nuts until number plate is secure on PlateMate.



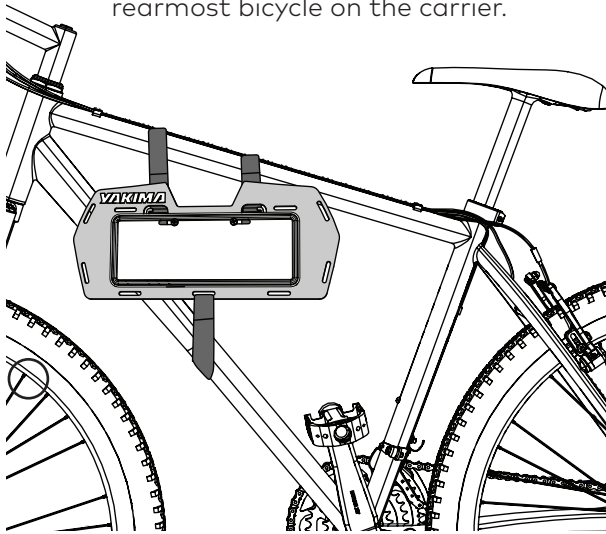
4

ATTACH PLATEMATE

Attach your assembled PlateMate to your bike carrier using the 2x Velcro Straps as shown below.



The remaining Velcro Strap can be threaded through one of the lower slots in PlateMate to prevent swinging if you opt to attach PlateMate to the rearmost bicycle on the carrier.



YAKIMA

www.yakima.com.au

YAKIMA AUSTRALIA PTY. LTD

17 Hinkler Court
Brendale, QLD 4500
Australia
1800 143 548

079 ♦ YAK
BIKE RACK NUMBER PLATE