

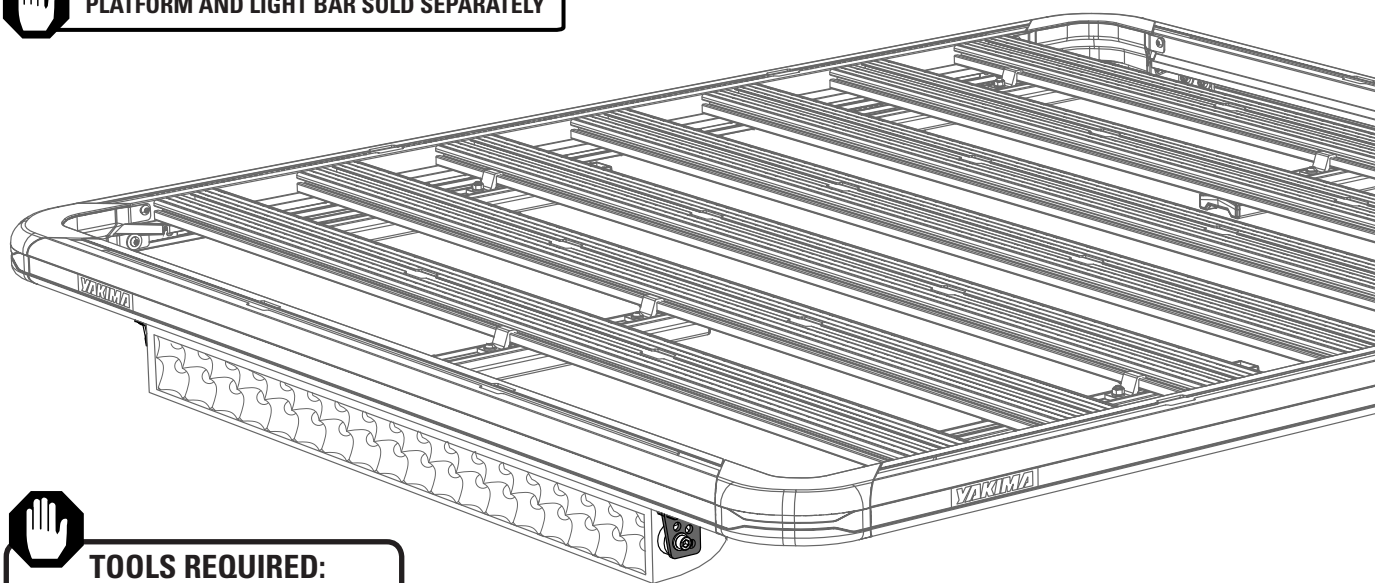
MAX LOAD RATING: 8KG

FIRST TIME INSTALLATION

- Please read instructions carefully before installation.
- Check the contents of kit. Contact your YAKIMA dealer if any parts appear missing or damaged.
- Clean your Platform prior to fitting the LOCKN'LOAD Platform Inboard Light Bracket Kit.
- Place these instructions in the vehicle's glove box after installation is complete.



PLATFORM AND LIGHT BAR SOLD SEPARATELY

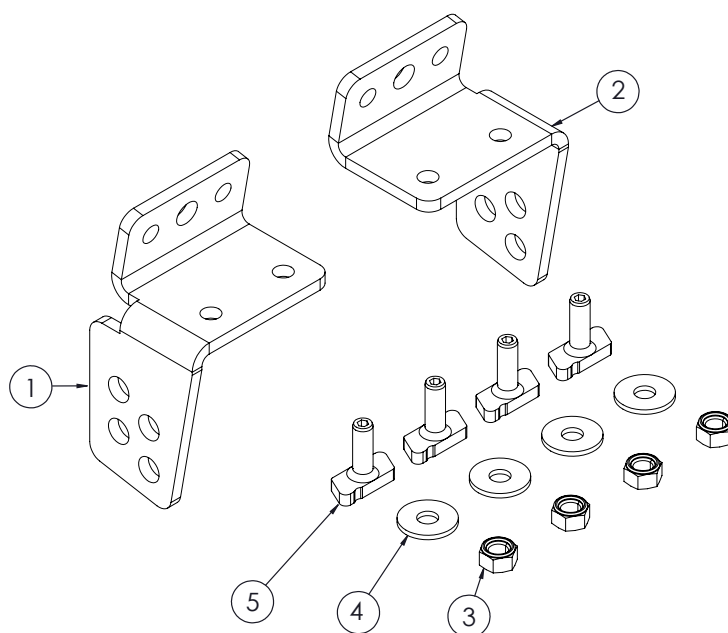


TOOLS REQUIRED:

- Allen Key
- 10mm Socket Wrench/Spanner

KIT CONTENTS

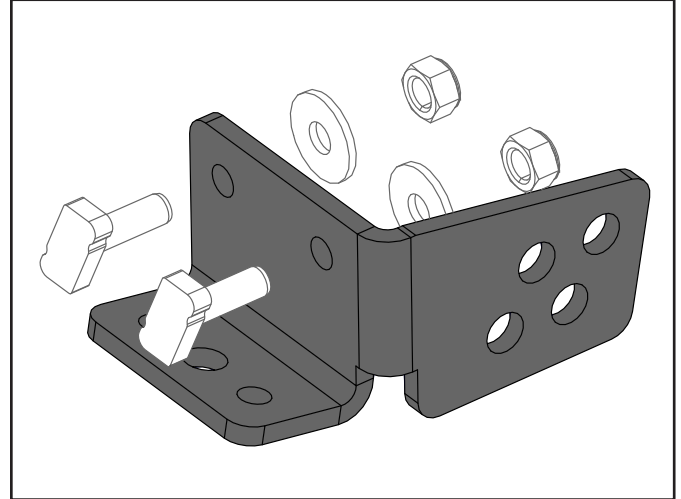
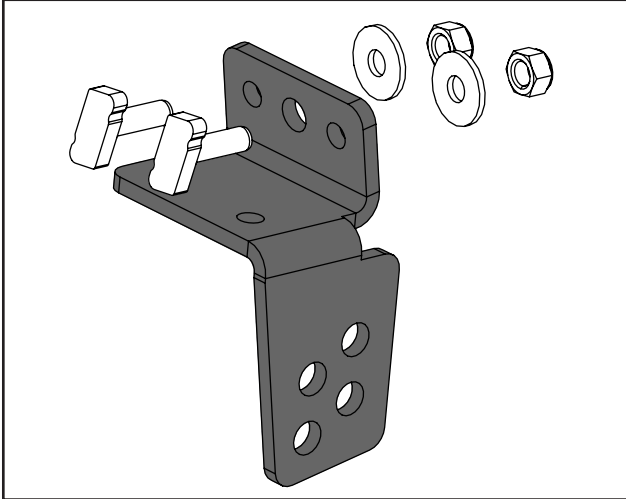
| ITEM | COMPONENT | QTY |
|------|--------------------------------------|-----|
| 1. | Inboard Light Bar Bracket Right Bend | x1 |
| 2. | Inboard Light Bar Bracket Left Bend | x1 |
| 3. | Nyloc Nut | x4 |
| 4. | Washer | x4 |
| 5. | T Bolt | x4 |



LIGHT BAR INSTALLATION

1 CONFIGURATIONS

The Light Bar Brackets can be mounted to the Platform in two different orientations to suit side or top mounted light bars as shown.

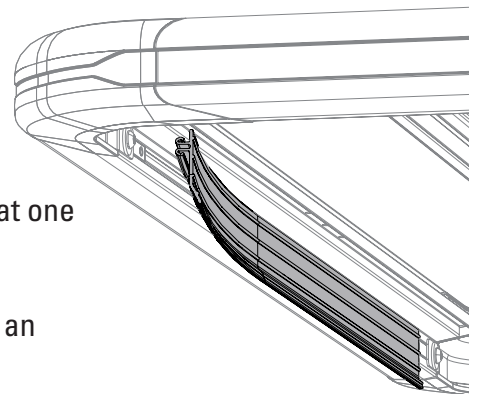


2 REMOVE DEFLECTOR OR RUBBER INFILL

If mounting to the front of the Platform, remove the deflector. If mounting to the rear of the Platform remove the rubber infill.

This is done by simply peeling the part out of the slot, starting at one end and working across the length of the strip.

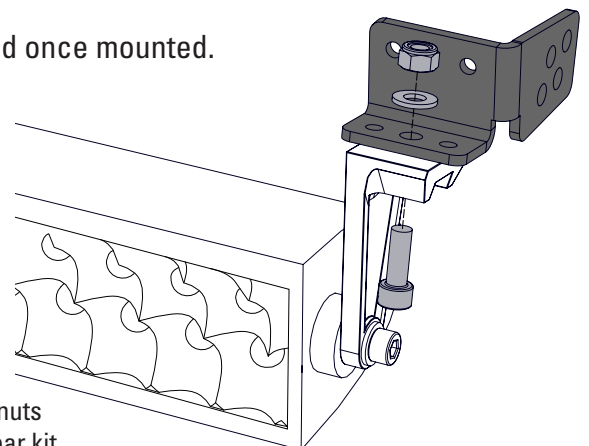
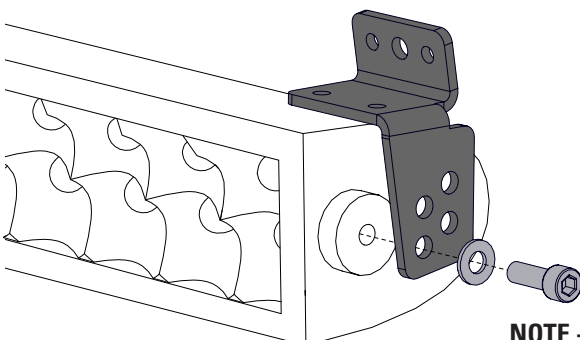
Installation is the reverse and should be confirmed by hearing an audible 'CLICK' when it is fully installed.



3 LOOSELY ATTACH BRACKETS TO LIGHT BAR

Using the hardware supplied with your light bar, loosely attach brackets to each end of the light bar in the applicable orientation. If mounting light bar via the side, four mounting holes are available to suit your size and style of light bar.

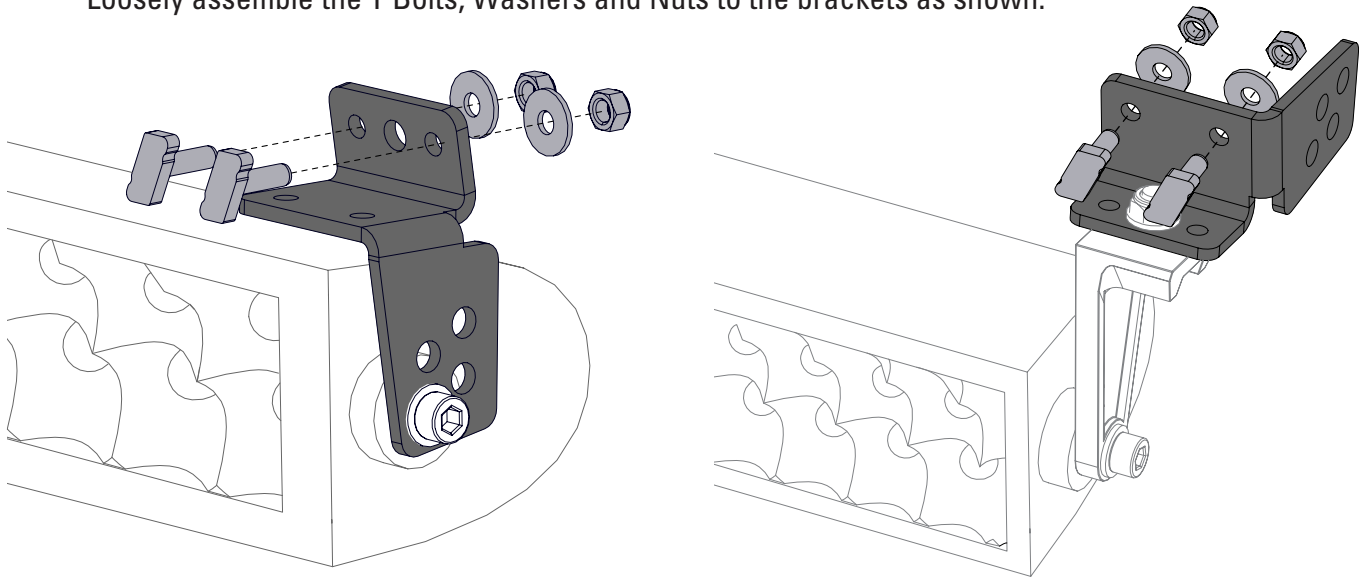
Finger tighten screws to allow the light bar to be rotated once mounted.



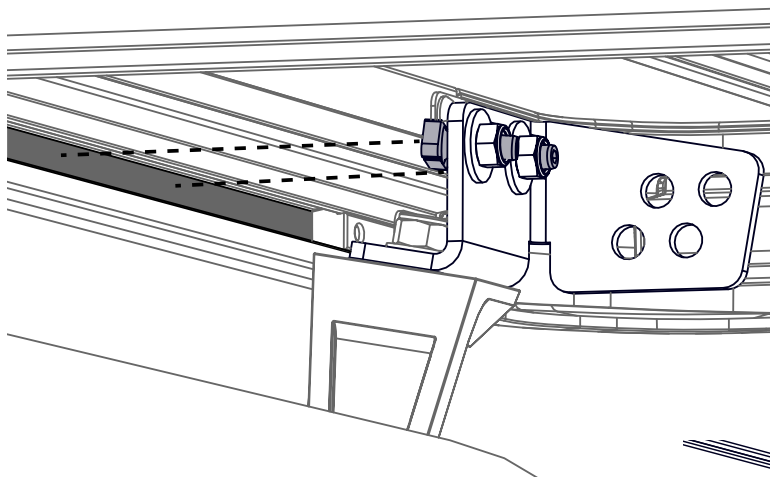
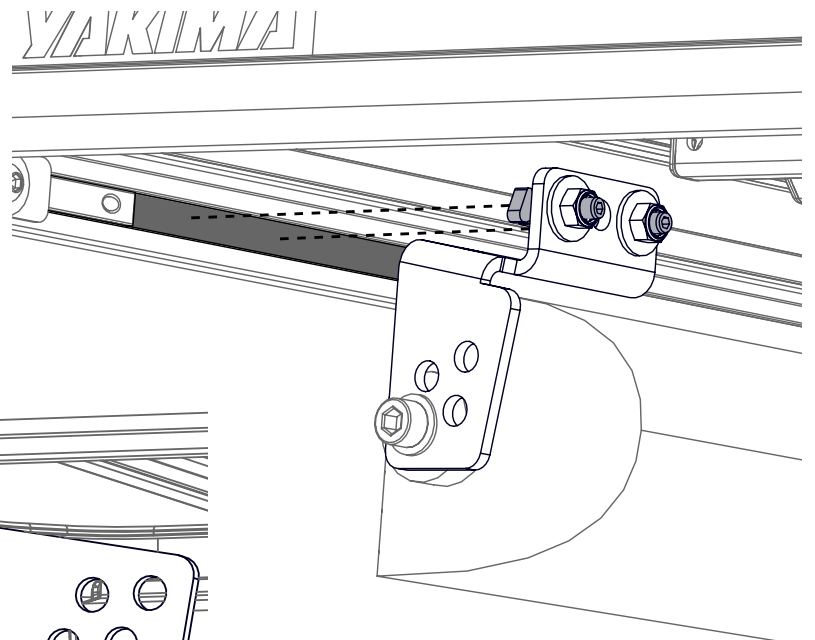
NOTE - Screws, washers, nuts supplied within your light bar kit.

4**LOOSELY ASSEMBLE BRACKETS**

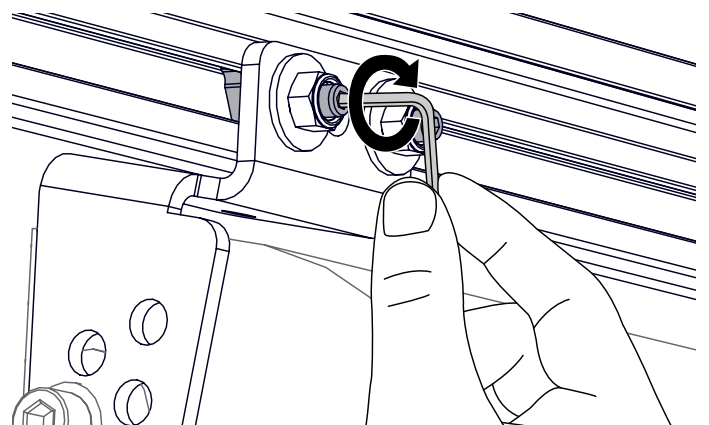
Loosely assemble the T Bolts, Washers and Nuts to the brackets as shown.

**5****POSITION LIGHT BAR INTO PLATFORM**

Position light bar and bracket assembly into the underside channel of Platform as shown.

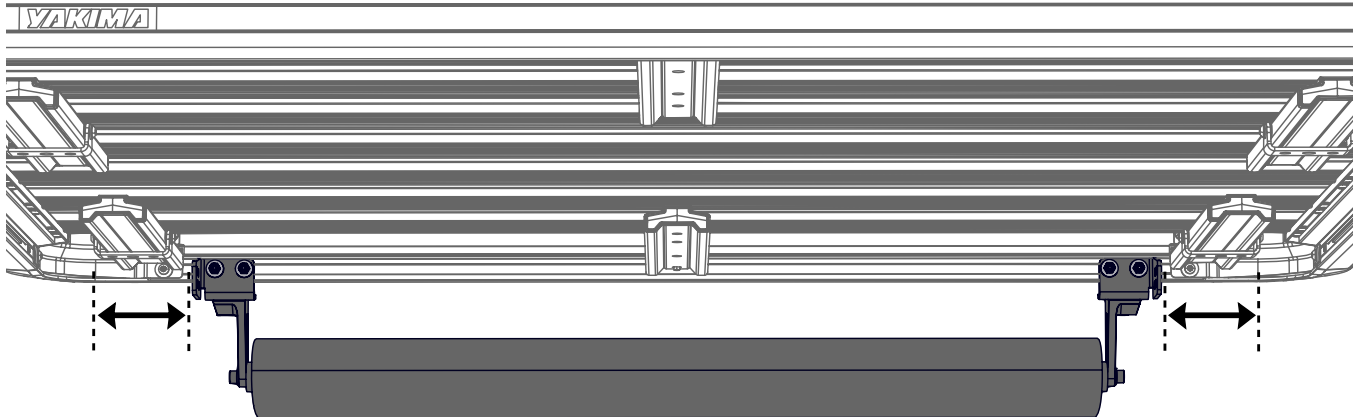


Once in position, use an Allen Key to ensure the T Bolts are turned all the way to the locked position.



6**CENTRE LIGHT BAR**

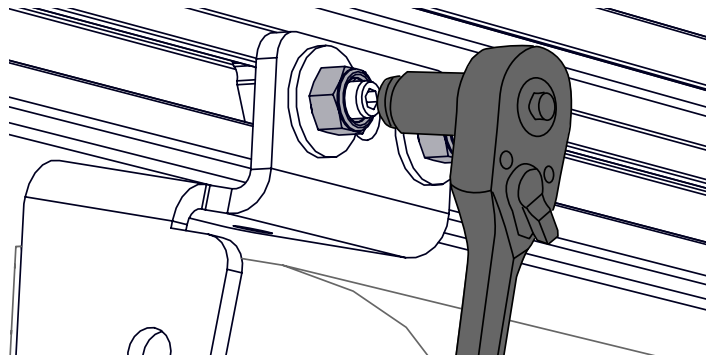
Centre light bar and bracket assembly on Platform by ensuring there is an equal distance from the Platform corners as shown.



NOTE - Ensure that position of light bar, or multiple light bars, complies with relevant state legislation.

7**SECURE LIGHT BAR TO PLATFORM**

Secure light bar and bracket assembly to the Platform by tightenting each Nyloc Nut to 4Nm using a 10mm Socket Wrench or Spanner.

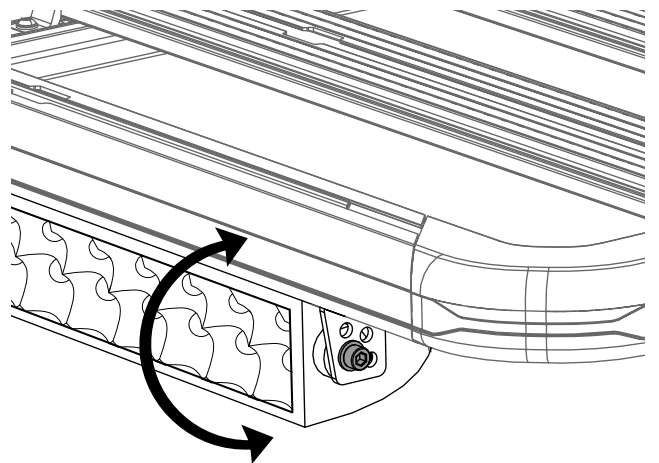
**8****ADJUST LIGHT BAR AND TIGHTEN SCREWS**

Adjust light bar to preferred angle then tighten light bar hardware installed in Step 3 according to the manufacturer's instructions.

Installation is now complete.

Ensure all screws are regularly checked and tightened to ensure minimal bounce and maximum safety.

Ensure all wiring is retained according to Light Bar manufacturer instructions.



YAKIMA

www.yakima.com.au

YAKIMA AUSTRALIA PTY. LTD

17 Hinkler Court
Brendale, QLD 4500
Australia
1800 143 548

YAKIMA EUROPE

Twentehaven 7
3433 PT Nieuwegein
The Netherlands
+31 2080 81425

YAKIMA PRODUCTS, INC.

4101 Kruse Way
Lake Oswego, OR
97035-2541
USA
888 925 4621