

**MAXIMUM PRODUCT LOAD RATING: 100 kg** 

**IMPORTANT:**

- **LOAD = WEIGHT OF PLATFORM or BARS + MOUNTING SYSTEM + ACCESSORIES + CARGO**
- **PLEASE REFER TO VEHICLE MANUFACTURER SPECIFICATIONS FOR MAX ROOF LOAD CAPACITY OF VEHICLE. THE LOWEST LOAD RATING APPLIES.**
- **OFFROAD RATING: SCAN QR CODE FOR LOCKNLOAD LOAD RATING GUIDE. REDUCTIONS MAY APPLY.**



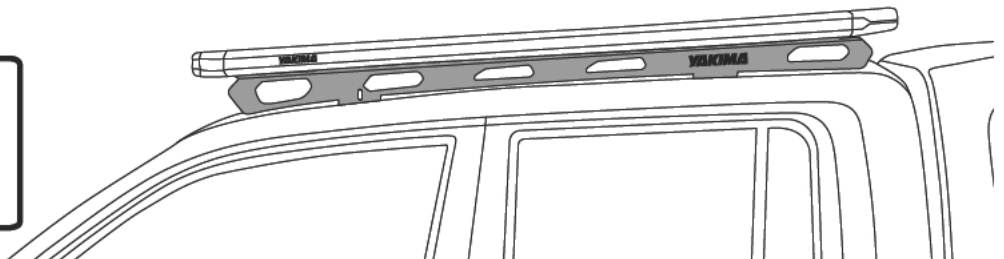
## FIRST TIME INSTALLATION

- Please read instructions carefully before installation.
- Check the contents of kit. Each spine has the last four digits of the kit's part number lasered in. Contact your YAKIMA dealer if any parts appear missing, incorrect or damaged.
- Clean your roof thoroughly prior to fitting the LockNLoad RuggedLine.
- Place these instructions in the vehicle's glove box after installation is complete.



**TOOLS REQUIRED:**

- 13 mm Spanner
- Flat Head Screwdriver

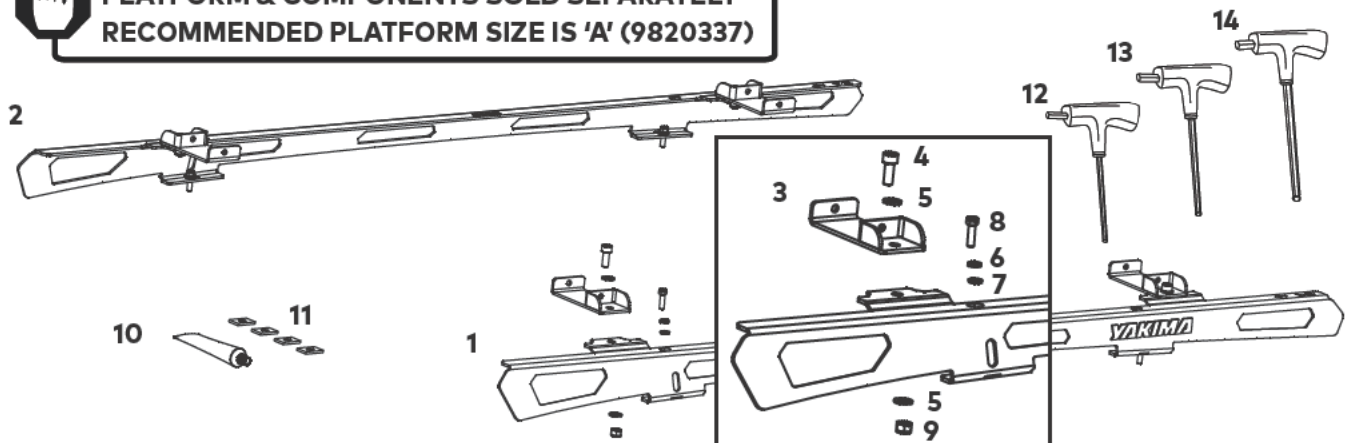


## KIT CONTENTS

ITEM	COMPONENT	QTY	ITEM	COMPONENT	QTY
1.	VW Amarok Left Spine 1006	x1	8.	M6 Hex Head Screw 20 mm	x4
2.	VW Amarok Right Spine 1006	x1	9.	M8 Nyloc Nut	x4
3.	Pivot Bracket Assembly	x4	10.	Loctite 598 Tube	x1
4.	M8 Socket Head Capscrew 20 mm	x4	11.	Foam Adhesive	x4
5.	M8 Washer	x8	12.	4 mm T Handle Ball End Allen Key	x1
6.	M6 Spring Washer	x4	13.	5 mm T Handle Ball End Allen Key	x1
7.	M6 Washer	x4	14.	6 mm T Handle Ball End Allen Key	x1



**PLATFORM & COMPONENTS SOLD SEPARATELY  
RECOMMENDED PLATFORM SIZE IS 'A' (9820337)**

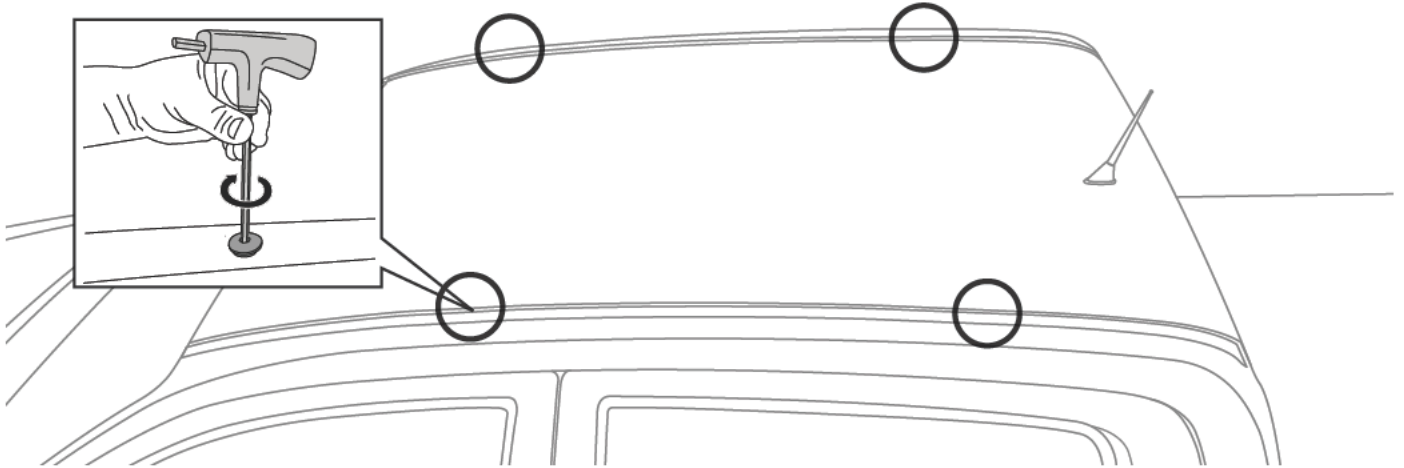


## MODELS WITH NO DITCH MOULD

**1**

### REMOVE FIXED POINT PLUGS

For VM Amaro models with no ditch mould, remove all four mounting plugs using the provided 5 mm T Handle Ball End Allen Key.

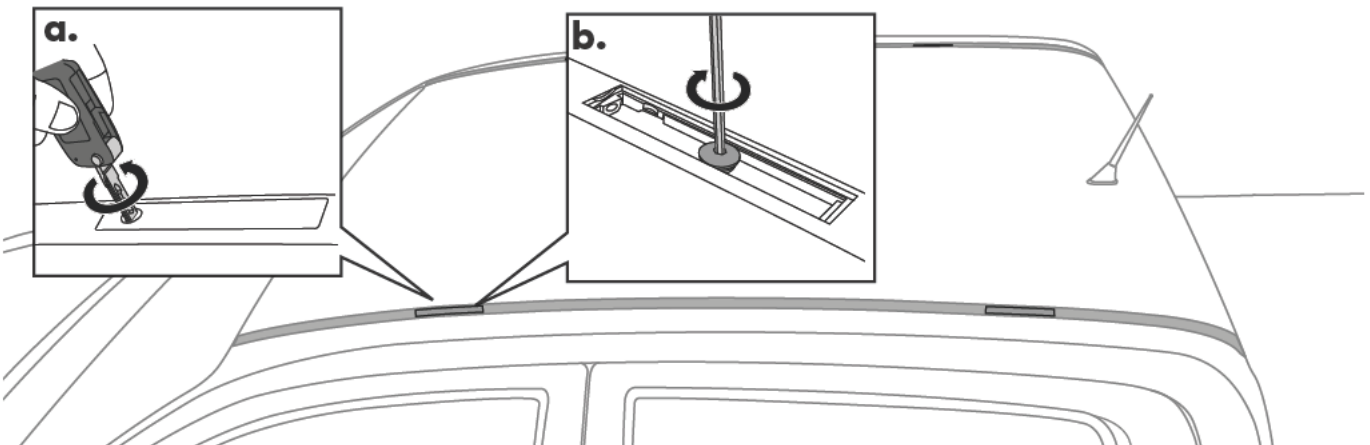


## MODELS WITH DITCH MOULD

**1**

### REMOVE FIXED POINT PLUGS

For VM Amaro models with a ditch mould, remove all four fixed point covers using vehicle key or a flat head screwdriver.

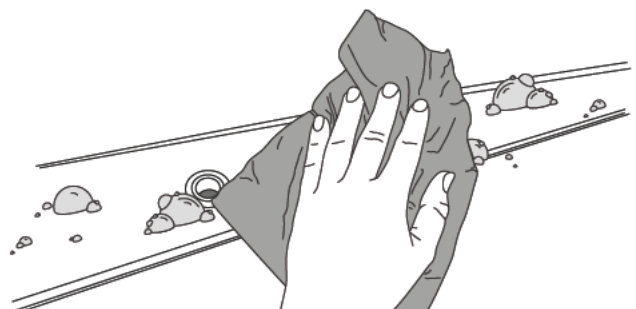


Remove all four mounting plugs using the provided 5 mm T Handle Ball End Allen Key.

**2**

### CLEAN EXPOSED ROOF

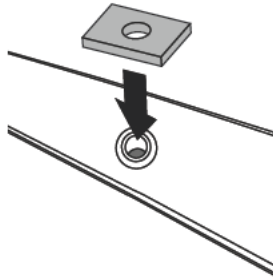
Wipe clean any dirt that may have built up in and around all mounting holes.



# MOUNTING RUGGEDLINE AND LockNLoad PLATFORM

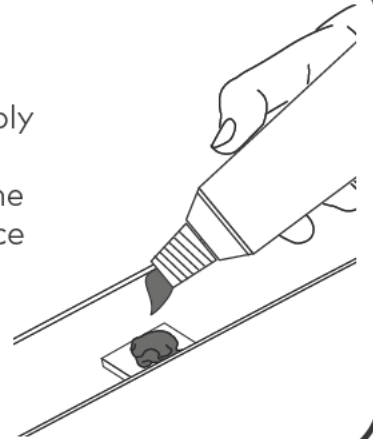
## 1 AFFIX FOAM ADHESIVE

Apply Foam Adhesive over all four mounting holes in the vehicle's fixed points, with adhesive side to vehicle.



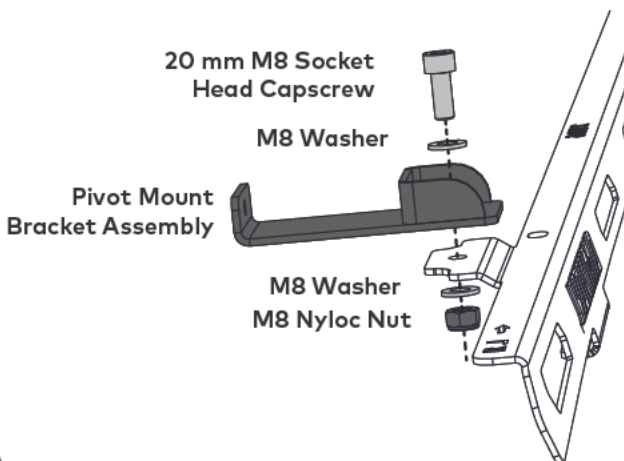
## 2 APPLY LOCTITE

Liberally apply the supplied Loctite to the inside surface and on top of each hole **on one side of vehicle.**



## 3 ASSEMBLE PIVOT BRACKET TO RUGGEDLINE

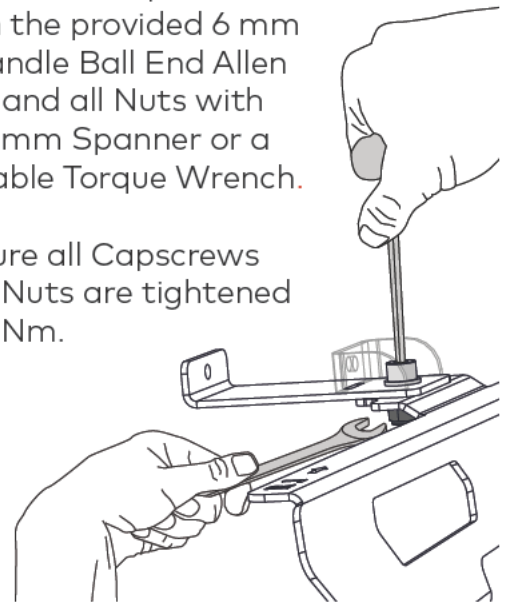
Assemble Pivot Bracket and M8 hardware as pictured. Complete this for both tabs on top of the RuggedLine Spine.



## 4 SECURE PIVOT BRACKET ASSEMBLIES

Tighten all Capscrews with the provided 6 mm T Handle Ball End Allen Key, and all Nuts with a 13 mm Spanner or a suitable Torque Wrench.

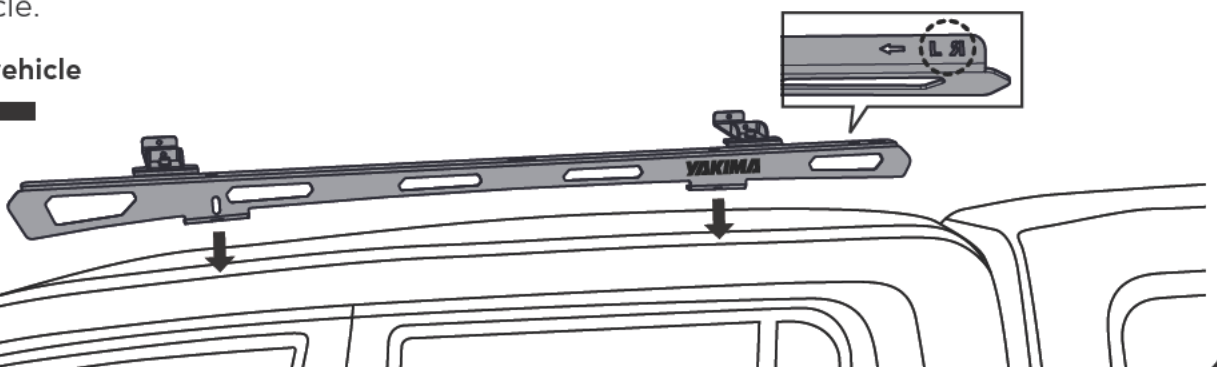
Ensure all Capscrews and Nuts are tightened to 7 Nm.



## 5 POSITION RUGGEDLINE ON VEHICLE ROOF

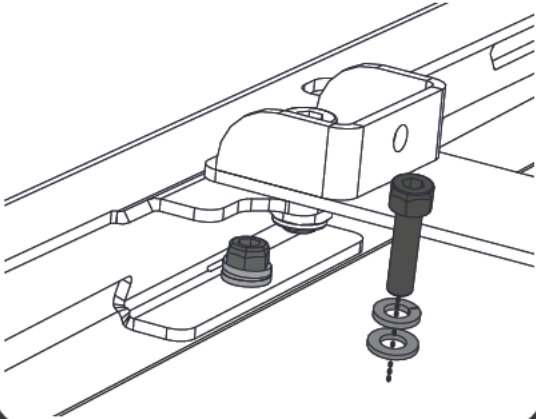
Referring to the left-right orientation on top of each Spine, carefully place one side of the RuggedLine onto vehicle roof as shown. Line up the mounting holes on the bottom tabs to those exposed on the roof. The tabs are to face in towards the vehicle.

Front of vehicle

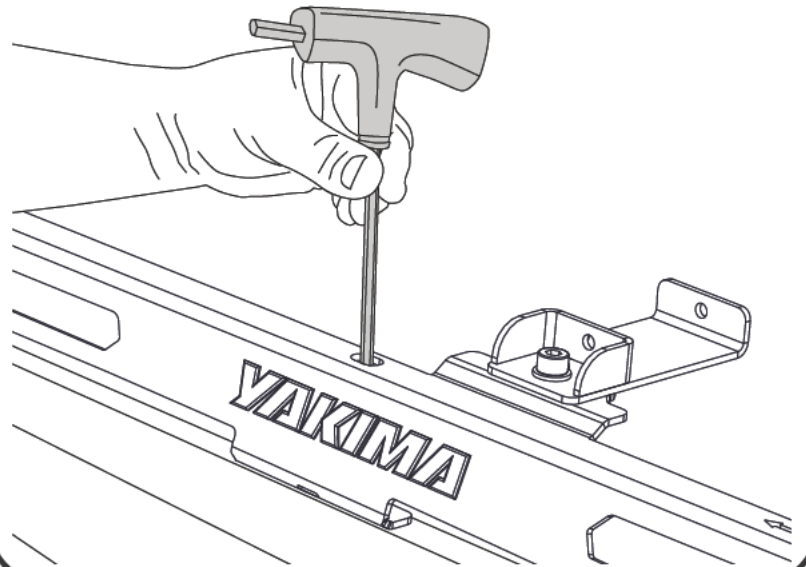


**6****ASSEMBLE RUGGEDLINE HARDWARE**

Assemble the 20 mm M6 Socket Head Capscrew, M6 Spring Washer and Washer as shown and place into mounting holes on bottom tabs of RuggedLine. Ensure hardware and holes align with the holes on roof.

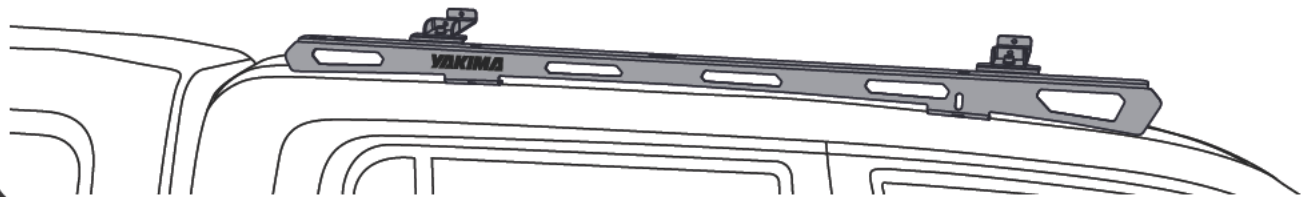
**7****TIGHTEN RUGGEDLINE HARDWARE**

Using the provided 4 mm T Handle Ball End Allen Key, and avoiding damage to the powder coat, start to carefully secure the RuggedLine by tightening the M6 Socket Head Capscrews to 4 Nm into the mounting holes in roof.

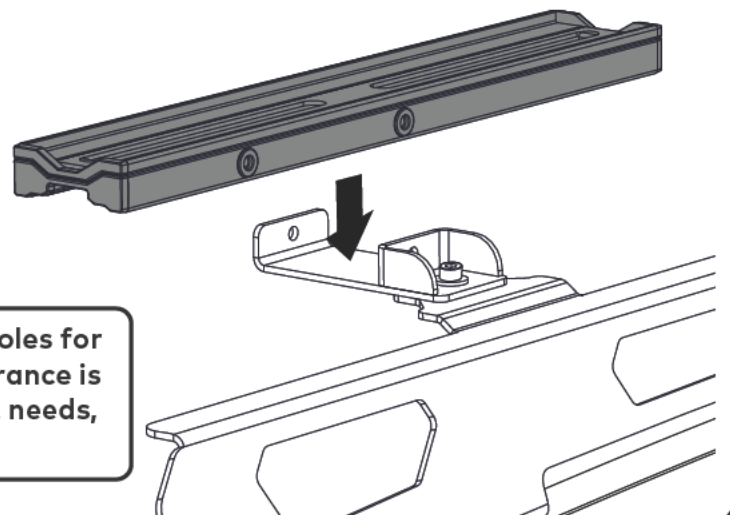
**8****REPEAT STEPS TO OPPOSITE SIDE**

Repeat steps 2-7 for securing opposite side of RuggedLine Spine.

Ensure both Spines are securely positioned on vehicle roof. Check each screw is secure before proceeding to install LockNLoad Platform to RuggedLine Spines.

**9****INSTALL PLATFORM PIVOT MOUNTS**

From the LockNLoad Platform kit (sold separately), position Pivot Mounts into each Pivot Bracket Assembly, lining up the rivnut holes on the Mounts with the holes on the brackets.

**!**

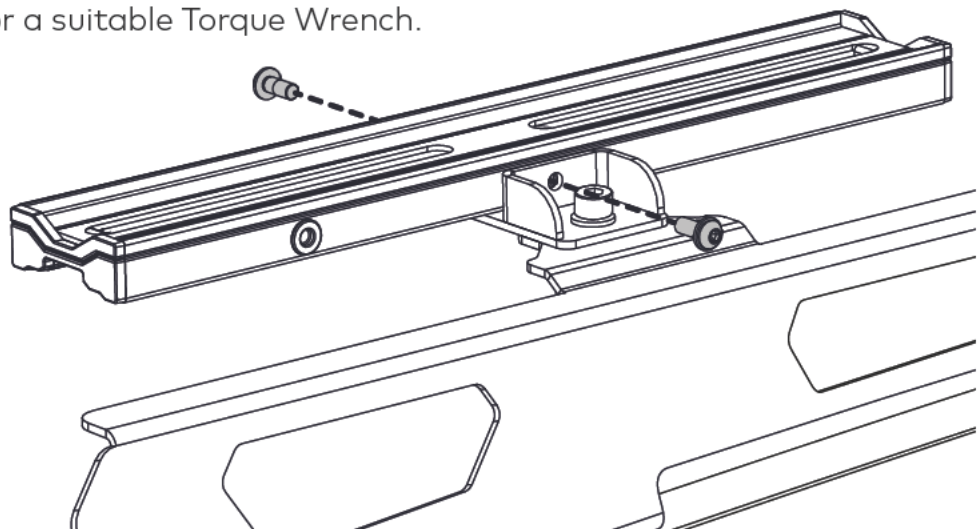
Where possible, always use the centre holes for attaching to Pivot Bracket. If extra clearance is needed due to Platform-to-roof fitment needs, the offset holes can be used.

**10****SECURE PLATFORM PIVOT MOUNTS**

Secure all Platform Pivot Mounts with 2x 16 mm M6 Capscrews with Washer from LockNLoad Platform kit as shown.

Tighten all Capscrews to 4 Nm with the provided 4 mm Ball End Allen Key or a suitable Torque Wrench.

**NOTE** - The Pivot Mount assembly will still have movement after securing which is intended.



**NOW SWITCH TO YOUR LockNLoad PLATFORM INSTRUCTIONS AND CONTINUE FROM THE 'VEHICLE MOUNTING INSTRUCTIONS' PAGE.**



**YAKIMA**

[www.yakima.com.au](http://www.yakima.com.au)

[www.yakima.co.nz](http://www.yakima.co.nz)

[www.yakima.com](http://www.yakima.com)

[www.yakima.eu](http://www.yakima.eu)

**YAKIMA AUSTRALIA PTY LTD**

17 Hinkler Court  
Brendale, QLD 4500  
Australia  
1800 143 548

**YAKIMA PRODUCTS, INC.**

4101 Kruse Way  
Lake Oswego, OR  
97035-2541  
USA  
888 925 4621

ALL CONTENT SUBJECT TO YAKIMA AUSTRALIA PTY LTD COPYRIGHT © 2021