

to suit RuggedLine Ranger GEN1&2/ BT-50 & Amarok GEN2
HEAVY DUTY TRACK PLATFORM MOUNTING SYSTEM

MAXIMUM PRODUCT LOAD RATING: 100 kg 

IMPORTANT:

- **LOAD = WEIGHT OF PLATFORM or BARS + MOUNTING SYSTEM + ACCESSORIES + CARGO**
- **PLEASE REFER TO VEHICLE MANUFACTURER SPECIFICATIONS FOR MAX ROOF LOAD CAPACITY OF VEHICLE. THE LOWEST LOAD RATING APPLIES.**
- **OFFROAD RATING: SCAN QR CODE FOR LOCKNLOAD LOAD RATING GUIDE. REDUCTIONS MAY APPLY.**



 **THIS MOUNTING KIT REQUIRES LNL TRACK KIT 8000316 TO BE INSTALLED FIRST.**

FIRST TIME INSTALLATION

- Please read instructions carefully before installation.
- Check the contents of kit. Each spine has the last four digits of the kit's part number lasered in.
- Contact your YAKIMA dealer if any parts appear missing, incorrect or damaged.
- Clean your roof thoroughly prior to fitting the LockNLoad RuggedLine.
- Place these instructions in the vehicle's glove box after installation is complete.



TOOLS REQUIRED:

- 13 mm Spanner



KIT CONTENTS

ITEM	COMPONENT	QTY	ITEM	COMPONENT	QTY
1.	Ranger Left Spine 1017	x1	7.	M6 Spring Washer	x8
2.	Ranger Right Spine 1017	x1	8.	M6 Washer	x8
3.	Pivot Bracket Assembly	x4	9.	M8 Nyloc Nut	x4
4.	M8 Socket Head Capscrew 20 mm	x4	10.	4 mm T Handle Ball End Allen Key	x1
5.	M8 Washer	x8	11.	5 mm T Handle Ball End Allen Key	x1
6.	M6 Socket Head Capscrew 16 mm	x8	12.	6 mm T Handle Ball End Allen Key	x1



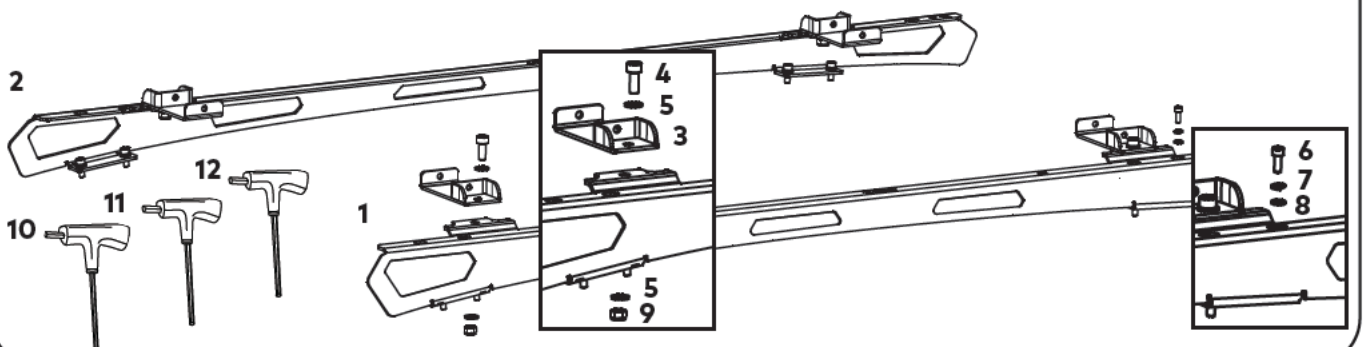
PLATFORM & COMPONENTS SOLD SEPARATELY.

RUGGEDLINE FORD RANGER/ RAPTOR GEN1 & GEN2 DC/

MAZDA BT-50 GEN2 DC: PLATFORM 'A' (9820337) IS RECOMMENDED.

FORD RANGER RAPTOR 2018+: PLATFORM 'A' (9820337) IS RECOMMENDED.

FORD RANGER DC JUL 2022+: PLATFORM 'A' (9820337) MUST BE USED DUE TO AERIAL FITMENT.

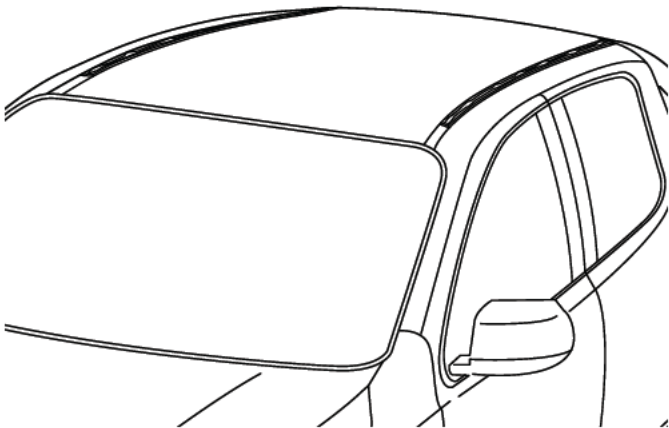


TRACK INSTALLATION

1 TRACK INSTALLATION IS COMPLETE

Check both LNL Ford Ranger GEN1 & GEN2 2011+ Tracks (8000316) are secured to the vehicle as per the installation instructions (28-13-010).

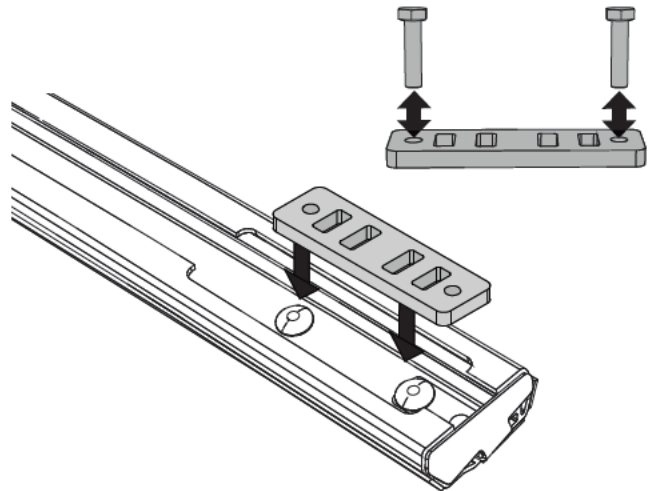
For assistance contact your local Yakima dealer.



2 INSERT NUT PLATES

Run all M6 Socket Head Capscrews through Nut Plates (from Track kit) to remove burrs.

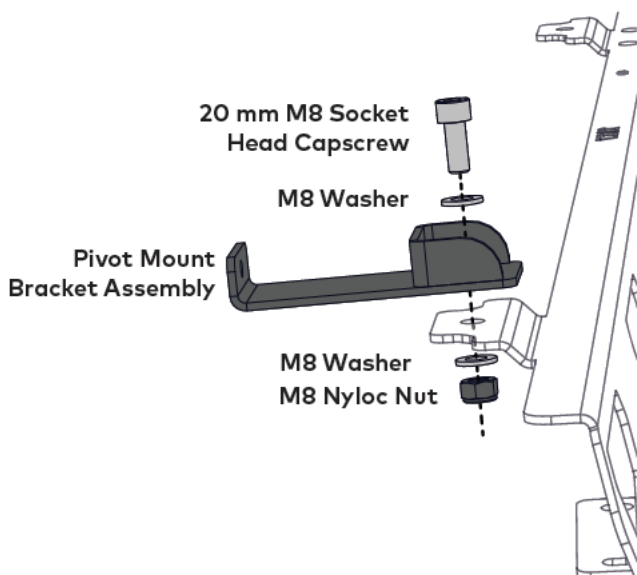
Insert two (2) Nut Plates into the end of Track on each side, sliding one (1) to the front of the vehicle.



MOUNTING RUGGEDLINE AND LOCKNLOAD PLATFORM

1 ASSEMBLE PIVOT BRACKET TO RUGGEDLINE

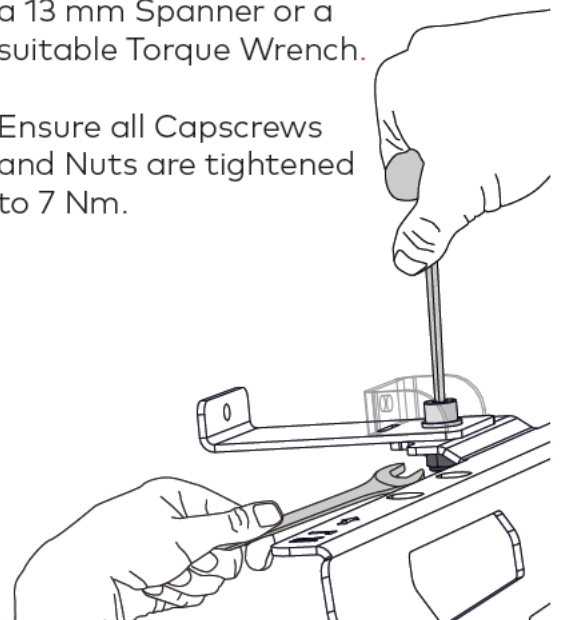
Assemble Pivot Bracket and M8 hardware as pictured. Complete this for both tabs on top of the RuggedLine Spine.



2 SECURE PIVOT BRACKET ASSEMBLIES

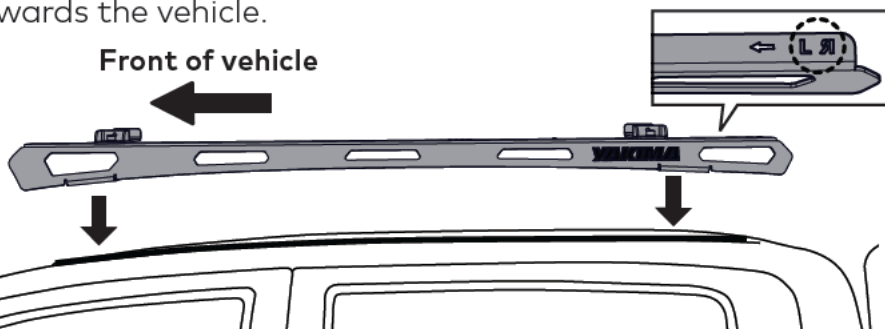
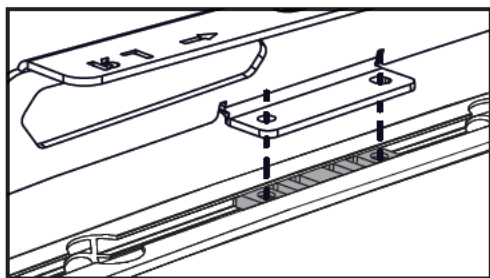
Tighten all Capscrews with the provided 6 mm T Handle Ball End Allen Key, and all Nuts with a 13 mm Spanner or a suitable Torque Wrench.

Ensure all Capscrews and Nuts are tightened to 7 Nm.



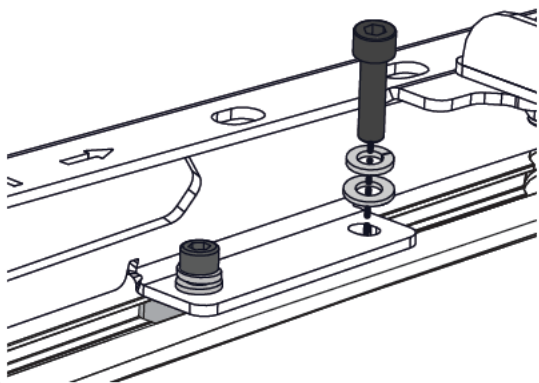
3 POSITION RUGGEDLINE ON VEHICLE ROOF

Slide the Nut Plates within Track to line up with the bottom tabs on RuggedLine Spine. Referring to the left-right orientation on top of each Spine, carefully place one side of the RuggedLine onto vehicle roof as shown. Line up the mounting holes on the bottom tabs to those exposed in the Nut Plates. The tabs are to face in towards the vehicle.



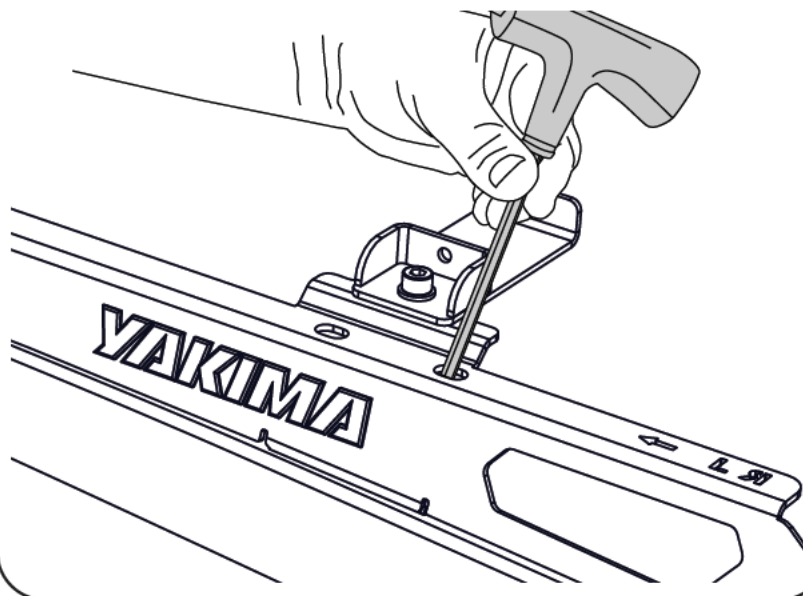
4 ASSEMBLE RUGGEDLINE HARDWARE

Assemble the 16 mm M6 Socket Head Capscrew, M6 Spring Washer and M6 Washer as shown and place into mounting holes on bottom tabs of RuggedLine. Ensure hardware and holes align with the holes in the Nut Plates.



5 TIGHTEN RUGGEDLINE HARDWARE

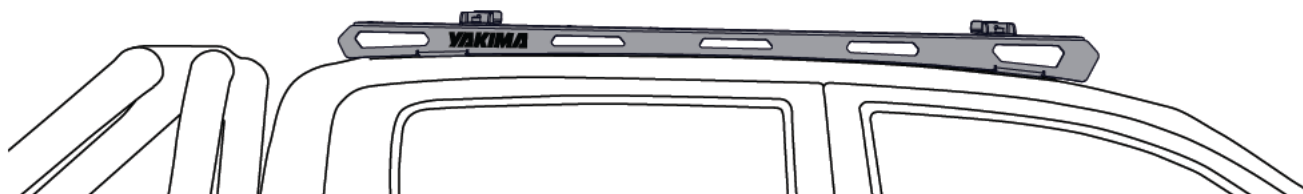
Using the provided 5 mm T Handle Ball End Allen Key, and avoiding damage to the powder coat, start to carefully secure the RuggedLine by tightening the M6 Socket Head Capscrews to 4Nm into the mounting holes in roof.



6 REPEAT STEPS TO OPPOSITE SIDE

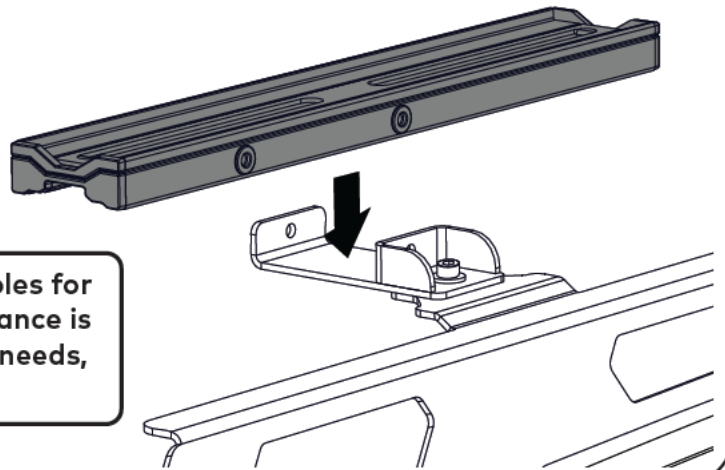
Repeat steps 3-5 for securing opposite side of RuggedLine Spine.

Ensure both Spines are securely positioned on vehicle roof. Check each screw is secure before proceeding to install LockNLoad Platform to RuggedLine Spines.



7**INSTALL PLATFORM PIVOT MOUNTS**

From the LockNLoad Platform kit (sold separately), position Pivot Mounts into each Pivot Bracket Assembly, lining up the rivnut holes on the Mounts with the holes on the brackets.



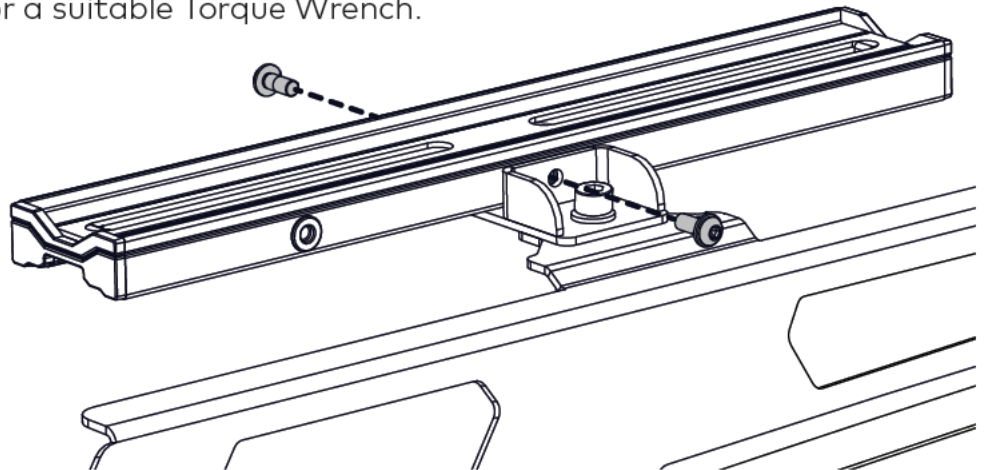
Where possible, always use the centre holes for attaching to Pivot Bracket. If extra clearance is needed due to Platform-to-roof fitment needs, the offset holes can be used.

8**SECURE PLATFORM PIVOT MOUNTS**

Secure all Platform Pivot Mounts with 2x 16 mm M6 Capscrews with Washer from LockNLoad Platform kit as shown.

Tighten all Capscrews to 4 Nm with the provided 4 mm Ball End Allen Key or a suitable Torque Wrench.

NOTE - The Pivot Mount assembly will still have movement after securing which is intended.



NOW SWITCH TO YOUR LOCKNLOAD PLATFORM INSTRUCTIONS AND CONTINUE FROM THE 'VEHICLE MOUNTING INSTRUCTIONS' PAGE.

This page intentionally left blank

YAKIMA®

www.yakima.com.au
www.yakima.co.nz
www.yakima.com
www.yakima.eu

YAKIMA AUSTRALIA PTY LTD

17 Hinkler Court
Brendale, QLD 4500
Australia
1800 143 548
yakimaglobal.com

YAKIMA PRODUCTS, INC.

4101 Kruse Way
Lake Oswego, OR
97035-2541
USA
888 925 4621
yakima.com/support

ALL CONTENT SUBJECT TO YAKIMA AUSTRALIA PTY LTD COPYRIGHT © 2022