

MAXIMUM PRODUCT LOAD RATING: 100 kg 

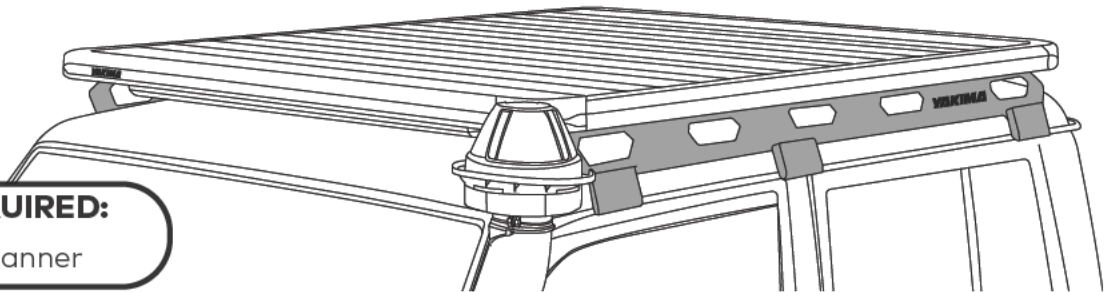
IMPORTANT:

- **LOAD = WEIGHT OF PLATFORM or BARS + MOUNTING SYSTEM + ACCESSORIES + CARGO**
- **PLEASE REFER TO VEHICLE MANUFACTURER SPECIFICATIONS FOR MAX ROOF LOAD CAPACITY OF VEHICLE. THE LOWEST LOAD RATING APPLIES.**
- **OFFROAD RATING: SCAN QR CODE FOR LOCKNLOAD LOAD RATING GUIDE. REDUCTIONS MAY APPLY.**



FIRST TIME INSTALLATION

- Please read instructions carefully before installation.
- Check the contents of kit. Each LockNLoad RuggedLine has the last four digits of the kit's part number lasered in. Contact your YAKIMA dealer if any parts appear missing, incorrect or damaged.
- Clean your roof thoroughly prior to fitting the LockNLoad RuggedLine.
- Place these instructions in the vehicle's glove box after installation is complete.



TOOLS REQUIRED:

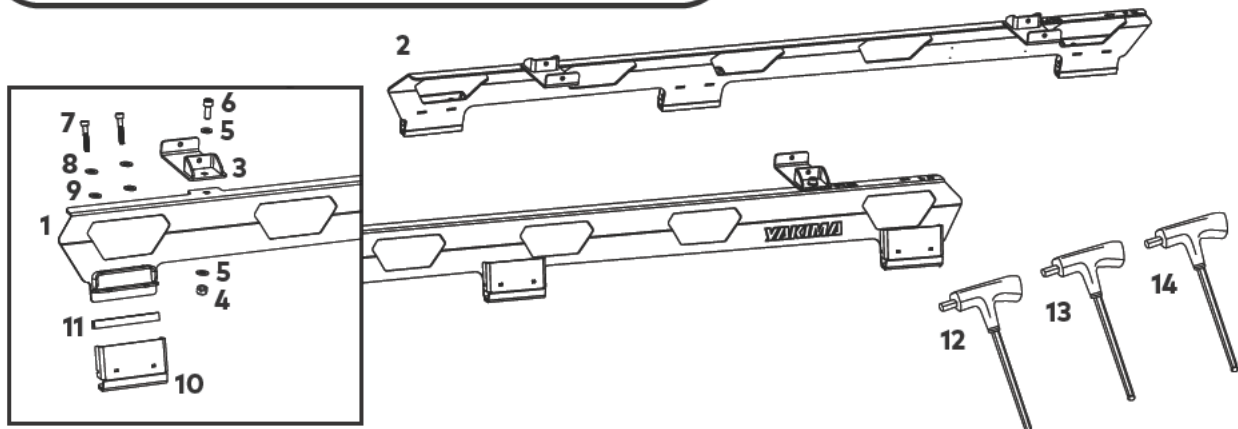
- 13 mm Spanner

KIT CONTENTS

ITEM	COMPONENT	QTY	ITEM	COMPONENT	QTY
1.	Toyota LC79 RuggedLine LH 2179	x1	8.	M6 Spring Washer	x12
2.	Toyota LC79 RuggedLine RH 2179	x1	9.	M6 Washer	x12
3.	Pivot Bracket	x4	10.	Clamp Assembly	x6
4.	M8 Nyloc Nut	x4	11.	Edge Seal	x6
5.	M8 Washer	x8	12.	4 mm T-Handle Ball End Allen Key	x1
6.	M8 x 20 mm Socket Head Cap Screw	x4	13.	5 mm T-Handle Ball End Allen Key	x1
7.	M6 x 35 mm Socket Head Cap Screw	x12	14.	6 mm T-Handle Ball End Allen Key	x1



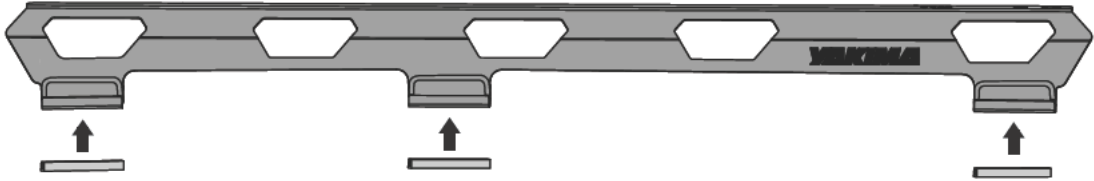
**PLATFORM & COMPONENTS SOLD SEPARATELY
RECOMMENDED PLATFORM SIZE IS 'B' (9820338)**



MOUNTING RUGGEDLINE

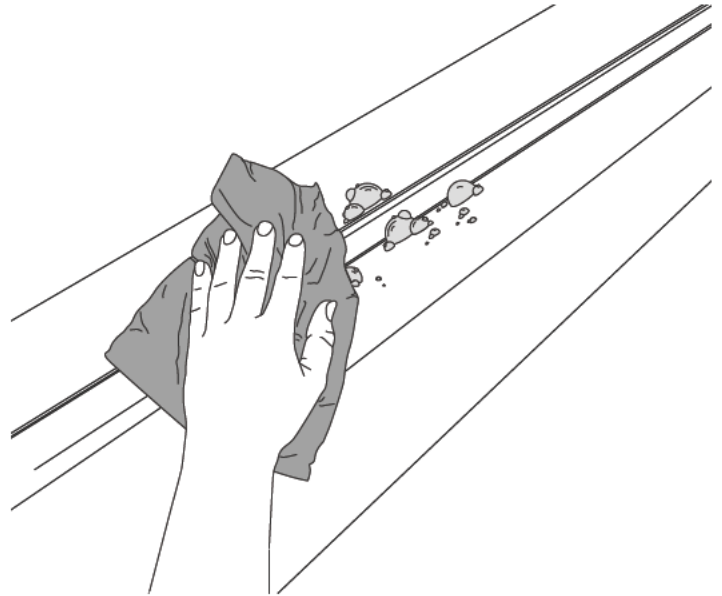
1 CLIP EDGE SEAL TO THE BOTTOM OF THE RUGGEDLINE.

Clip the edge seal onto the bottom of the RuggedLine.



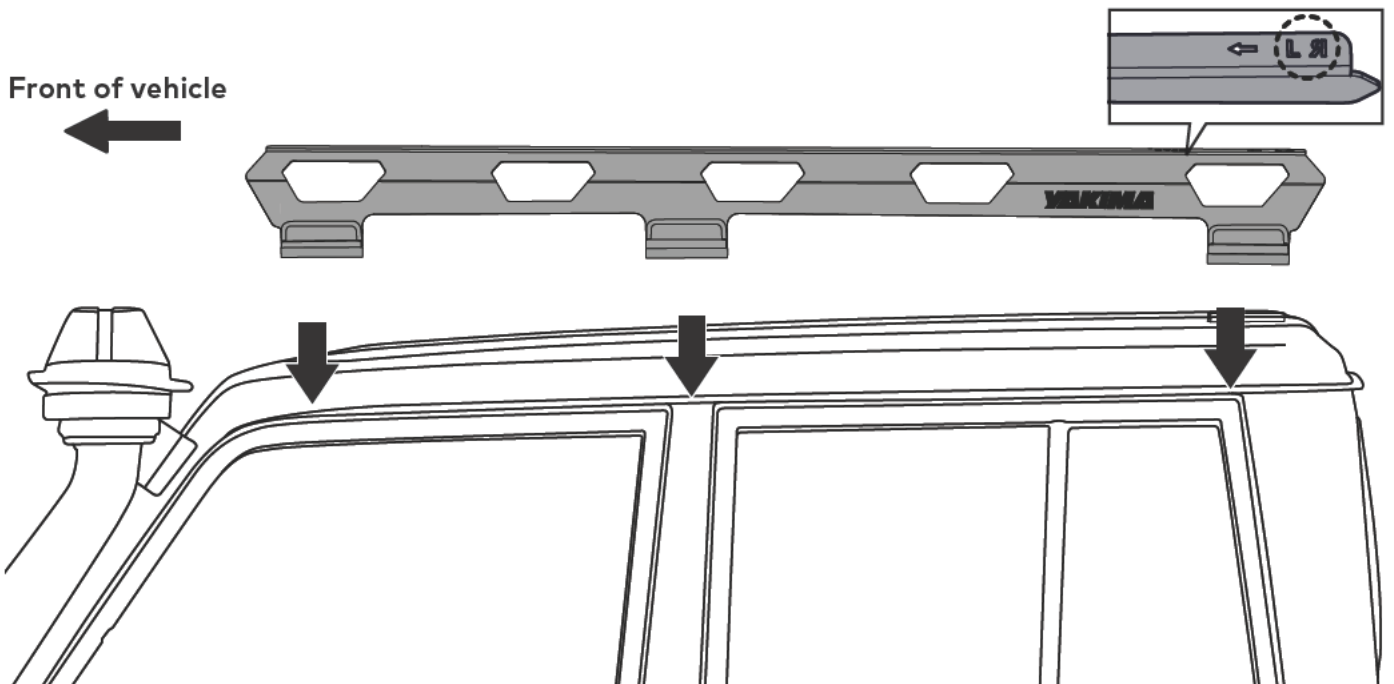
2 CLEAN ROOF.

Wipe clean any dirt that may have built up in and around the gutter.



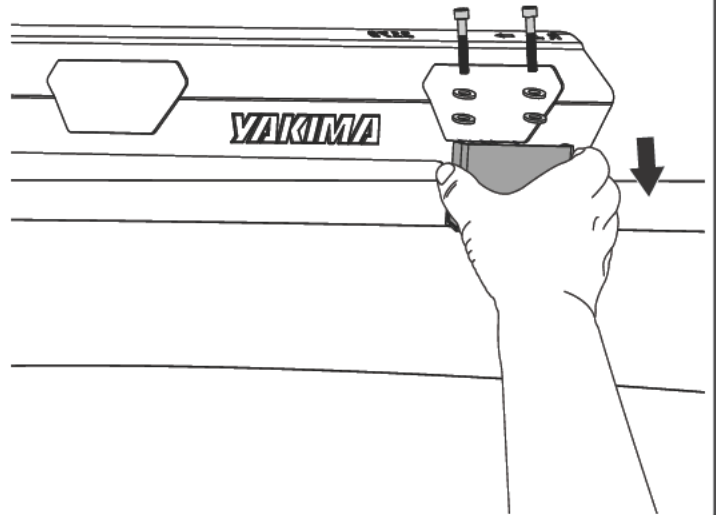
3 POSITION RUGGEDLINE ON VEHICLE ROOF.

Referring to the left-right orientation on top of each RuggedLine, carefully place one side of the RuggedLine onto vehicle roof as shown. The tabs are to face in towards the vehicle. Make sure to align the middle bracket over the B pillar.

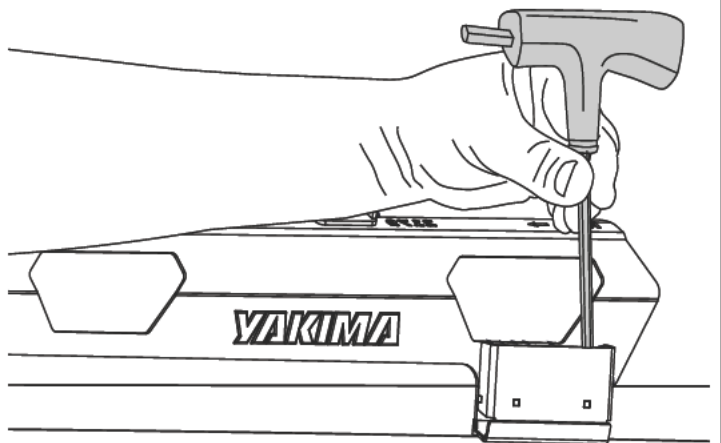


4**ATTACH CLAMP ASSEMBLY.**

Slide the clamp assembly onto the RuggedLine and attach using M6 x 35 mm socket head cap screws, M6 spring washers and M6 washers.

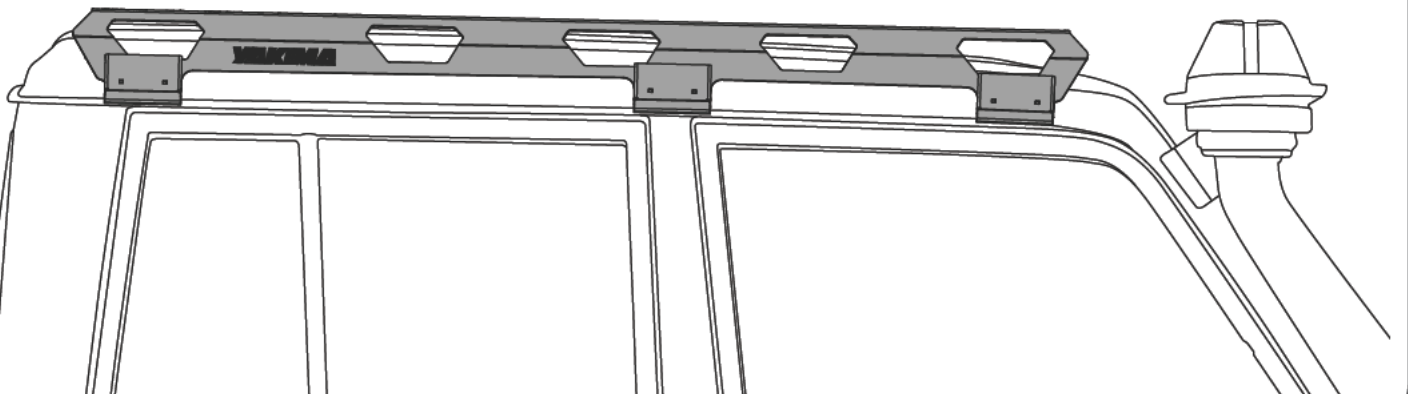
**5****TIGHTEN RUGGEDLINE HARDWARE.**

Using the 5 mm T-handle ball end allen key, and avoiding damage to the powder coat, start to carefully secure the RuggedLine by tightening the M6 socket head cap screws to 5 Nm into the mounting holes in the RuggedLine.

**6****REPEAT STEPS ON OPPOSITE SIDE**

Repeat steps 1-5 on pages 2-3 for securing the opposite side RuggedLine.

Ensure both RuggedLine are securely positioned on vehicle roof. Check each screw is secure before proceeding to install LockNLoad platform to your RuggedLine.



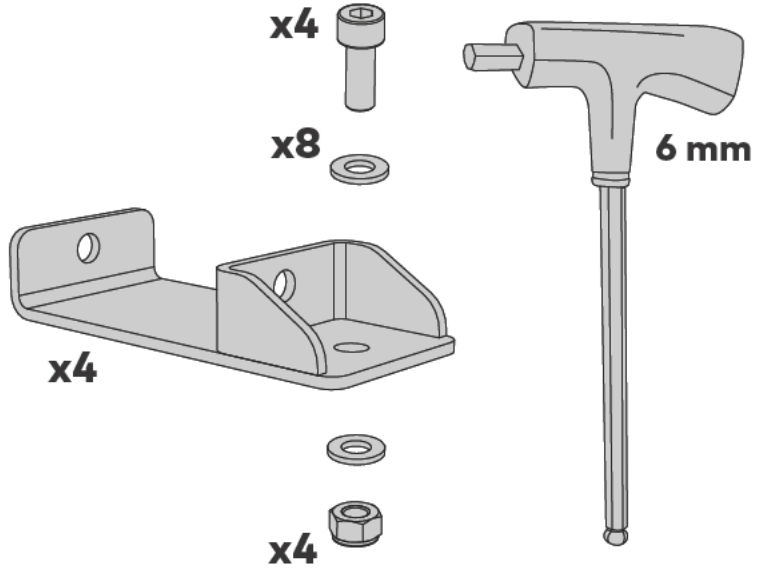
7

PIVOT BRACKET ASSEMBLIES.

Retain the 6 mm T-handle ball end allen key and not yet installed pivot brackets, M8 x 20 mm socket head cap screws, M8 nyloc nuts and M8 washers.



These components will be required for mounting your LockNLoad platform to your newly installed RuggedLine.



NOW SWITCH TO YOUR LOCKNLOAD PLATFORM INSTRUCTIONS AND CONTINUE FROM THE 'RUGGEDLINE MOUNTING INSTRUCTIONS' PAGE.

This page intentionally left blank



www.yakima.com.au
www.yakima.co.nz
www.yakima.com
www.yakima.eu

YAKIMA AUSTRALIA PTY LTD

17 Hinkler Court
Brendale, QLD 4500
Australia
1800 143 548

**YAKIMA PRODUCTS,
INC.**

4101 Kruse Way
Lake Oswego, OR
97035-2541
USA
888 925 4621
yakima.com/support